

ERD 18/2 B



Short description

Centrifugal roof fan, vertical air outlet, DN 180, single-phase AC

Application examples

Production facility, Workplace, Commercial premises, Industrial building, Restaurant

Article number 0087.0015

Technical data

Air flow volume	1.600 m ³ /h
Rotating speed	2.850 1/min
Speed controllable	–
Reversing capacity	–
Type of voltage	Alternating current
Rated voltage	230 V
Nominal output	380 W
I _{nom}	1,75 A
I _{max}	2,7 A
Degree of protection	IP 55
Insulation class	F
Installation site	Roof
Installation position	vertical
Material	Sheet steel, galvanised
Weight	22
Weight including packaging	24,31 kg
Shutter	integrated
Type of shutter	Airstream-operated opening/closing
Nominal size	180 mm
Width with packaging	535 mm
Height with packaging	430 mm
Depth with packaging	535 mm
Airstream temperature at nominal current	-20 °C up to 60 °C
Airstream temperature at I _{Max}	-20 °C up to 40 °C
Packing unit	1 piece
Range	C
GTIN (EAN)	4012799870159

ERD 18/2 B

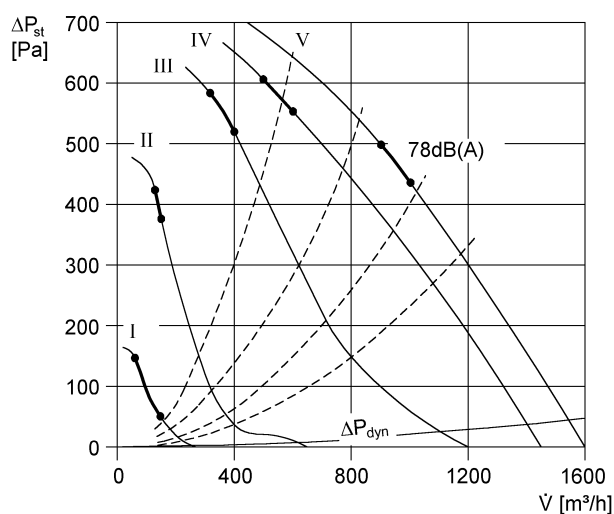
Sound power level in octave range

	63 Hz	125 Hz	250 Hz	500 Hz	1 kHz	2 kHz	4 kHz	8 kHz	Total
L_{WA5, S1} (dB(A))	23	34	36	36	49	51	37	27	53
L_{WA5, S2} (dB(A))	29	45	50	53	54	60	58	39	64
L_{WA5, S3} (dB(A))	41	52	67	67	70	67	68	65	76
L_{WA5, S4} (dB(A))	45	54	70	73	74	72	68	72	80
L_{WA5, S5} (dB(A))	46	55	69	78	76	73	70	73	82
L_{WA8, S1} (dB(A))	24	35	40	42	53	55	42	32	58
L_{WA8, S2} (dB(A))	30	47	50	57	58	60	58	42	65
L_{WA8, S3} (dB(A))	42	57	65	71	72	72	69	64	78
L_{WA8, S4} (dB(A))	47	57	69	76	78	78	70	71	83
L_{WA8, S5} (dB(A))	51	58	70	78	79	79	72	72	84

L_{WA5}= free inlet sound power level in dB.

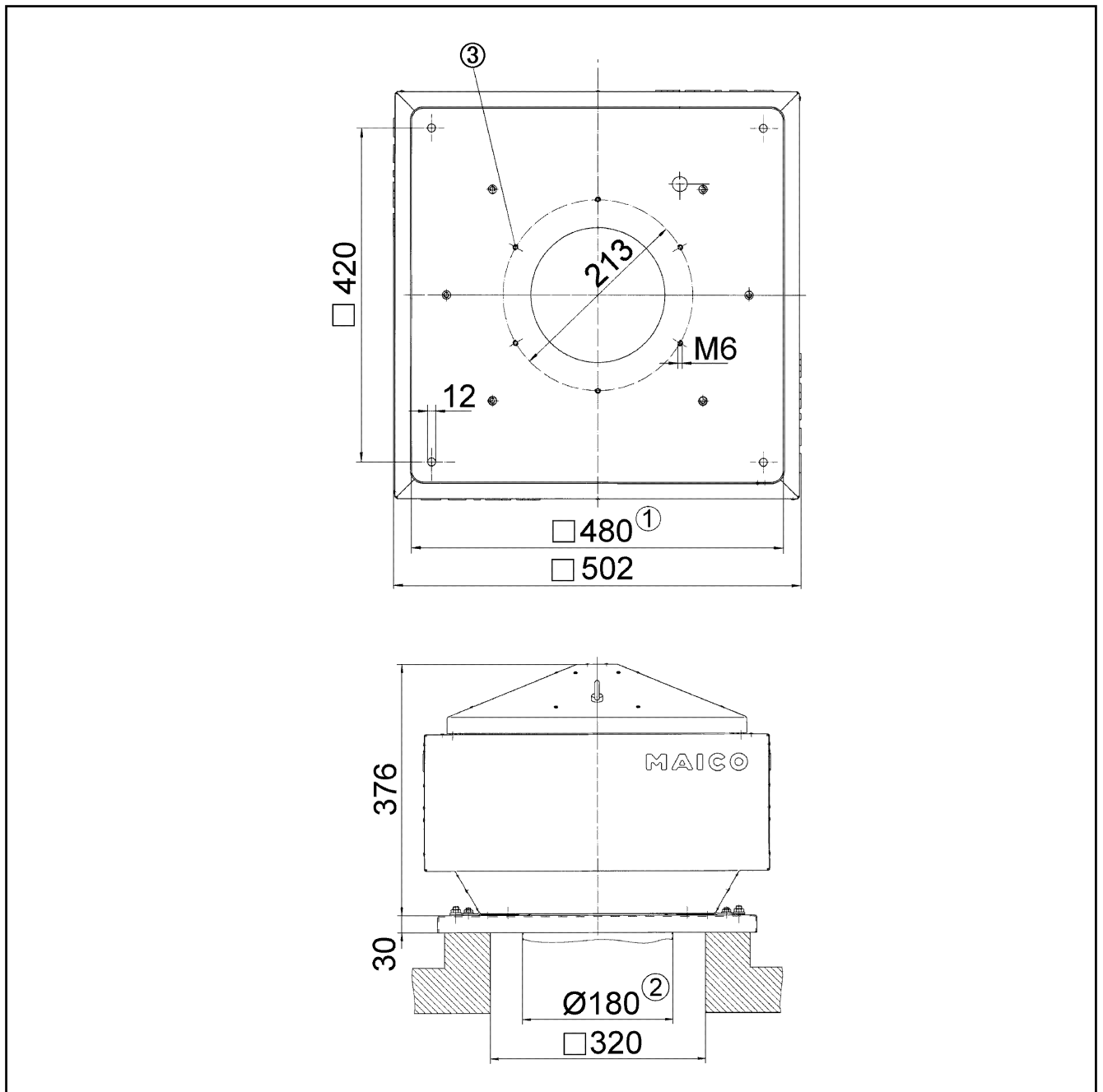
L_{WA8}= housing and free outlet sound power level in dB.

Characteristic curve



ERD 18/2 B

Dimensioned drawing [mm]



- ① Clear width
- ② External duct diameter
- ③ Number of holes: 3