

ERD 18/4 B



Short description

Centrifugal roof fan, vertical air outlet, DN 180, single-phase AC

Application examples

Production facility, Workplace, Commercial premises, Industrial building, Restaurant

Article number 0087.0000

Technical data

Air flow volume	750 m ³ /h
Rotating speed	1.425 1/min
Speed controllable	–
Reversing capacity	–
Type of voltage	Alternating current
Rated voltage	230 V
Nominal output	86 W
I _{nom}	0,38 A
I _{max}	0,4 A
Degree of protection	IP 55
Insulation class	B
Installation site	Roof
Installation position	vertical
Material	Sheet steel, galvanised
Weight	21 kg
Weight including packaging	23,37 kg
Shutter	integrated
Type of shutter	Airstream-operated opening/closing
Nominal size	180 mm
Width with packaging	530 mm
Height with packaging	425 mm
Depth with packaging	530 mm
Airstream temperature at nominal current	-20 °C up to 60 °C
Airstream temperature at I _{Max}	-20 °C up to 60 °C
Packing unit	1 piece
Range	C
GTIN (EAN)	4012799870005

ERD 18/4 B

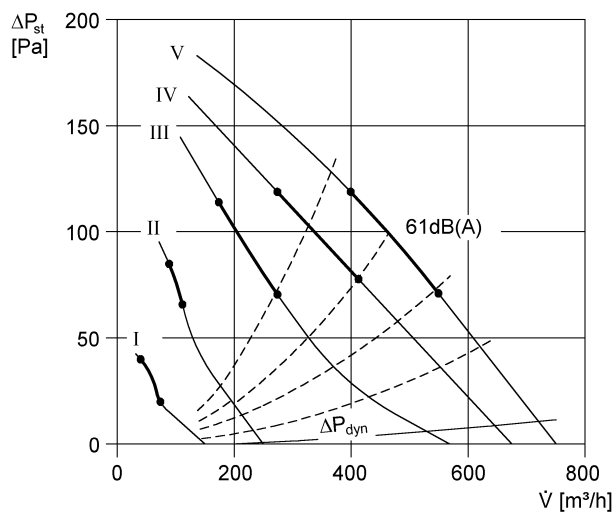
Sound power level in octave range

	63 Hz	125 Hz	250 Hz	500 Hz	1 kHz	2 kHz	4 kHz	8 kHz	Total
L_{WA5, S1} (dB(A))	21	21	24	33	52	31	24	16	52
L_{WA5, S2} (dB(A))	25	36	37	39	50	51	34	24	54
L_{WA5, S3} (dB(A))	28	44	47	47	53	60	44	34	61
L_{WA5, S4} (dB(A))	29	47	50	51	55	60	56	39	63
L_{WA5, S5} (dB(A))	31	49	54	54	57	59	60	42	65
L_{WA8, S1} (dB(A))	28	22	26	39	49	35	28	21	49
L_{WA8, S2} (dB(A))	25	37	38	44	53	56	35	29	58
L_{WA8, S3} (dB(A))	28	45	46	51	49	60	44	36	62
L_{WA8, S4} (dB(A))	30	48	50	55	58	60	54	40	64
L_{WA8, S5} (dB(A))	32	50	54	58	61	61	58	42	66

L_{WA5}= free inlet sound power level in dB.

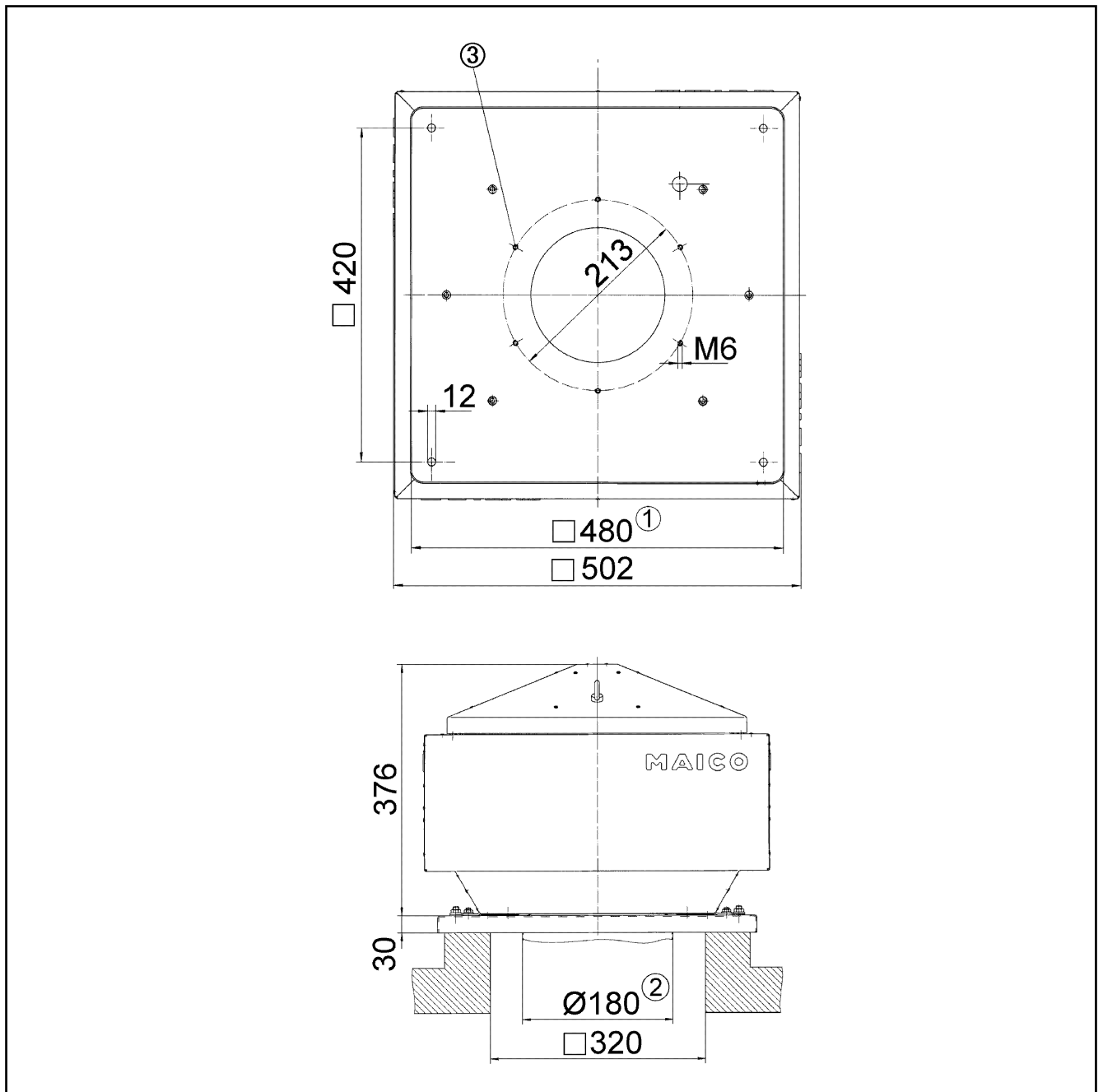
L_{WA8}= housing and free outlet sound power level in dB.

Characteristic curve



ERD 18/4 B

Dimensioned drawing [mm]



- ① Clear width
- ② External duct diameter
- ③ Number of holes: 3