

# ERD 22/4 B



## Short description

Centrifugal roof fan, vertical air outlet, DN 224, single-phase AC

## Application examples

Production facility, Workplace, Commercial premises, Industrial building, Restaurant

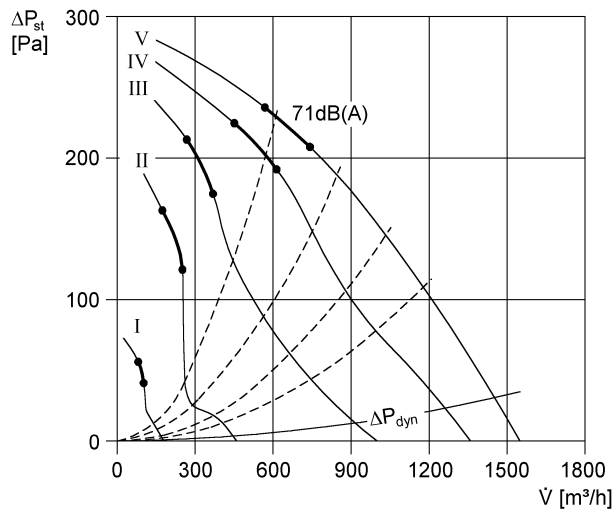
Article number 0087.0001

## Technical data

Air flow volume	1.550 m³/h
Speed controllable	✓
Reversing capacity	–
Degree of protection	IP 55
Installation site	Roof
Installation position	vertical
Material	Sheet steel, galvanised
Weight	26,7
Weight including packaging	26 kg
Shutter	integrated
Type of shutter	Airstream-operated opening/closing
Nominal size	224 mm
Width with packaging	580 mm
Height with packaging	455 mm
Depth with packaging	580 mm
Packing unit	1 piece
Range	C
GTIN (EAN)	4012799870012

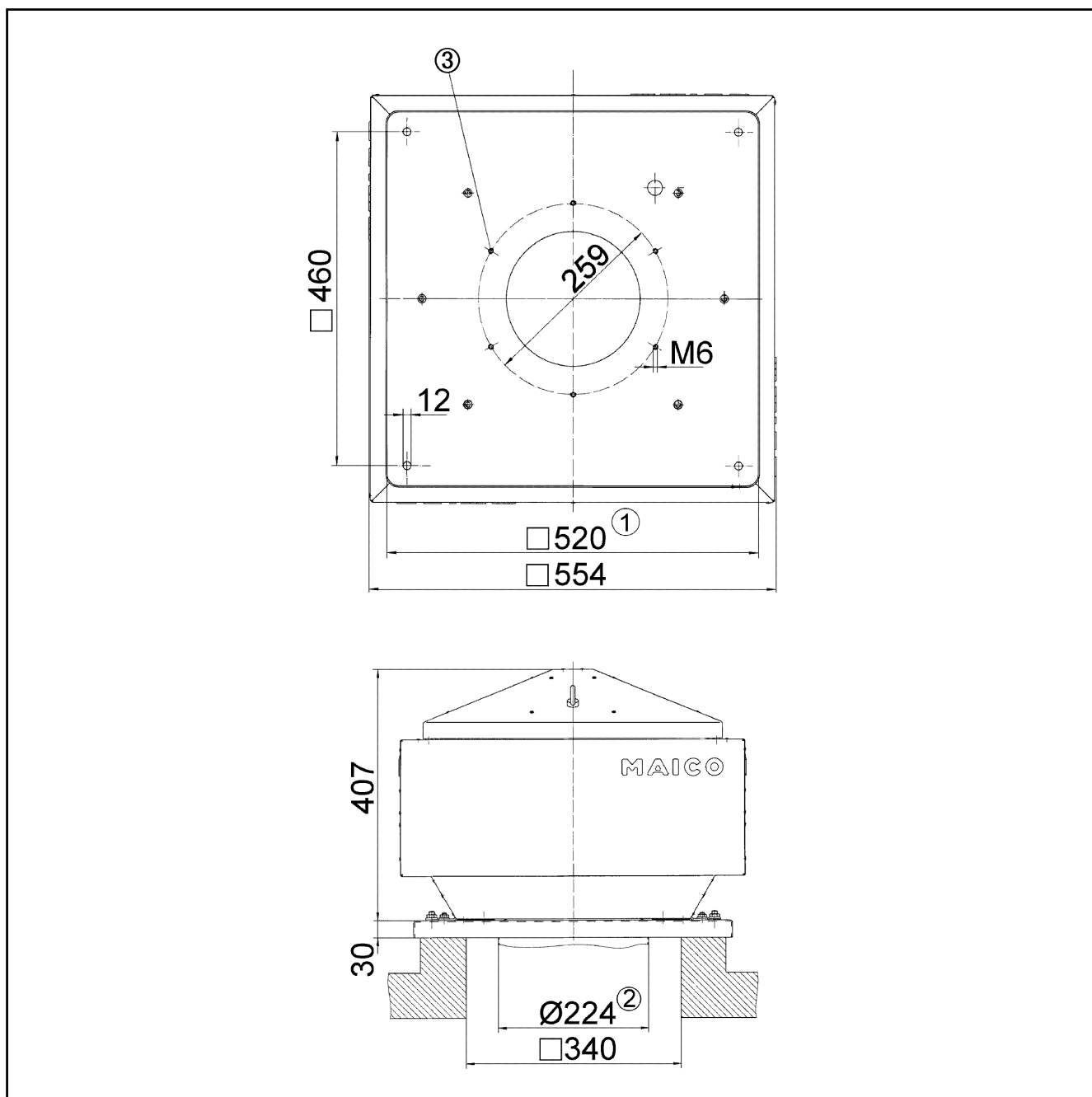
# ERD 22/4 B

## Characteristic curve



# ERD 22/4 B

Dimensioned drawing [mm]



- ① Clear width
- ② External duct diameter
- ③ Number of holes: 3