

# ERD 25/6 B



## Short description

Centrifugal roof fan, vertical air outlet, DN 250, single-phase AC

## Application examples

Production facility, Workplace, Commercial premises, Industrial building, Restaurant

Article number 0087.0003

## Technical data

Air flow volume	1.400 m <sup>3</sup> /h
Rotating speed	850 1/min
Speed controllable	✓
Reversing capacity	–
Type of voltage	Alternating current
Rated voltage	230 V
Nominal output	160 W
I <sub>nom</sub>	0,8 A
I <sub>max</sub>	0,85 A
Degree of protection	IP 55
Insulation class	F
Installation site	Roof
Installation position	vertical
Material	Sheet steel, galvanised
Weight	28,3
Weight including packaging	31,14 kg
Shutter	integrated
Type of shutter	Airstream-operated opening/closing
Nominal size	250 mm
Width with packaging	640 mm
Height with packaging	490 mm
Depth with packaging	640 mm
Airstream temperature at nominal current	-20 °C up to 40 °C
Airstream temperature at I <sub>Max</sub>	40 °C
Packing unit	1 piece
Range	C
GTIN (EAN)	4012799870036

# ERD 25/6 B

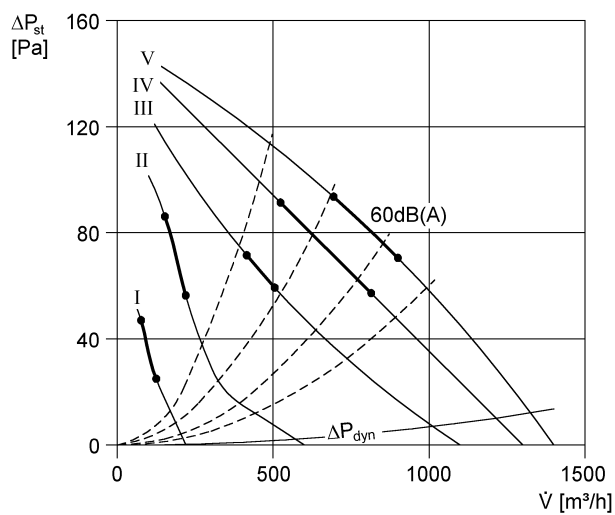
## Sound power level in octave range

	63 Hz	125 Hz	250 Hz	500 Hz	1 kHz	2 kHz	4 kHz	8 kHz	Total
<b>L<sub>WA5, S1</sub></b> <b>(dB(A))</b>	37	33	23	38	46	21	15	8	47
<b>L<sub>WA5, S2</sub></b> <b>(dB(A))</b>	38	51	35	38	50	52	25	15	55
<b>L<sub>WA5, S3</sub></b> <b>(dB(A))</b>	38	55	47	46	49	58	39	25	60
<b>L<sub>WA5, S4</sub></b> <b>(dB(A))</b>	39	55	51	50	53	60	52	32	63
<b>L<sub>WA5, S5</sub></b> <b>(dB(A))</b>	40	59	54	53	55	58	60	37	64
<b>L<sub>WA8, S5</sub></b> <b>(dB(A))</b>	–	–	55	56	61	58	57	39	66

L<sub>WA5</sub>= free inlet sound power level in dB.

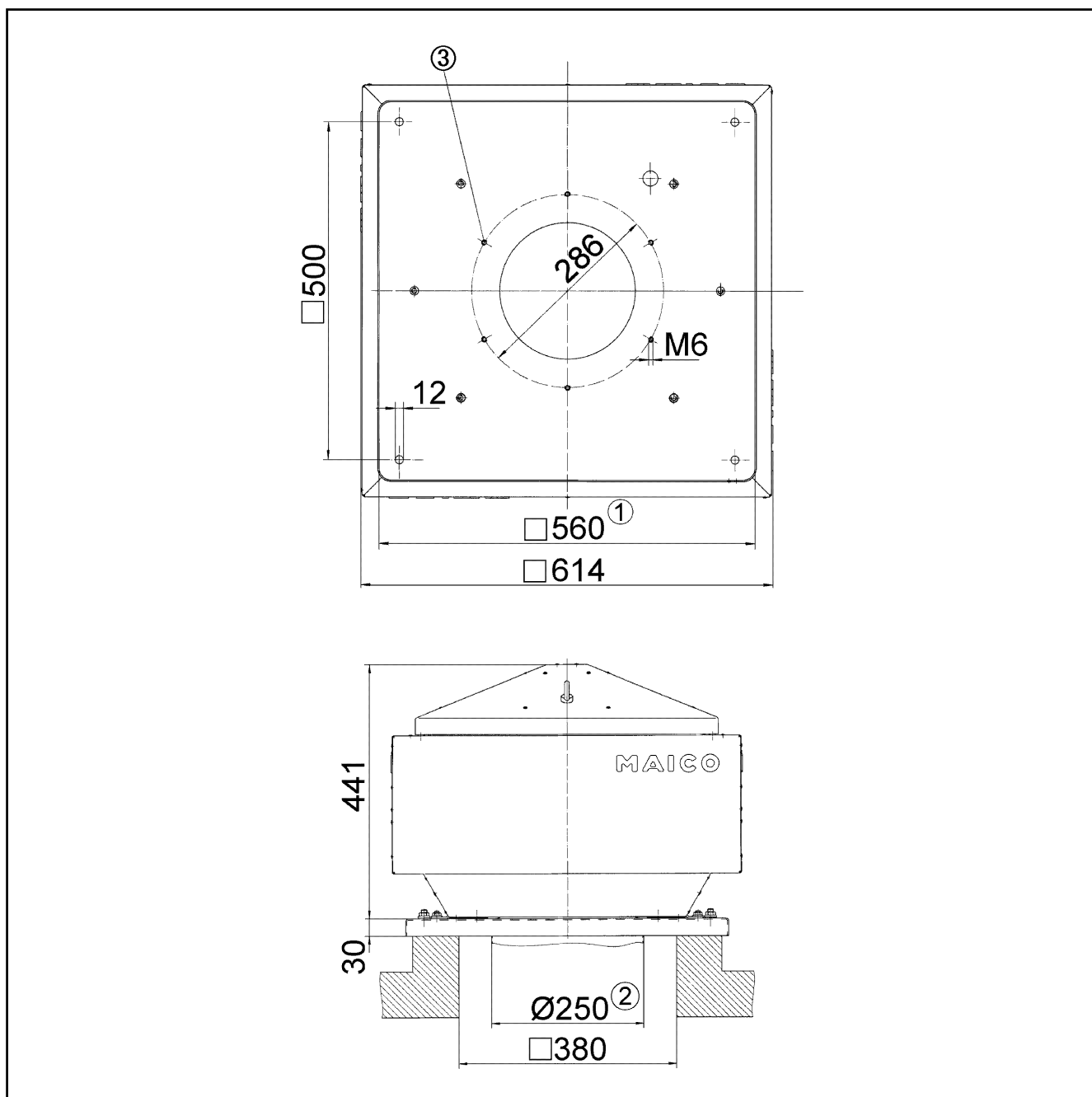
L<sub>WA8</sub>= housing and free outlet sound power level in dB.

## Characteristic curve



# ERD 25/6 B

Dimensioned drawing [mm]



- ① Clear width
- ② External duct diameter
- ③ Number of holes: 6