

ERD 31/4 B



Short description

Centrifugal roof fan, vertical air outlet, DN 315, single-phase AC

Application examples

Production facility, Workplace, Commercial premises, Industrial building, Restaurant

Article number 0087.0004

Technical data

Air flow volume	3.400 m ³ /h
Rotating speed	1.425 1/min
Speed controllable	✓
Reversing capacity	–
Type of voltage	Alternating current
Rated voltage	230 V
Nominal output	535 W
I _{nom}	2,4 A
I _{max}	2,8 A
Degree of protection	IP 55
Insulation class	B
Installation site	Roof
Installation position	vertical
Material	Sheet steel, galvanised
Weight	40,8
Weight including packaging	45,34 kg
Shutter	integrated
Type of shutter	Airstream-operated opening/closing
Nominal size	315 mm
Width with packaging	750 mm
Height with packaging	570 mm
Depth with packaging	750 mm
Airstream temperature at nominal current	-20 °C up to 60 °C
Airstream temperature at I _{Max}	60 °C
Packing unit	1 piece
Range	C
GTIN (EAN)	4012799870043

ERD 31/4 B

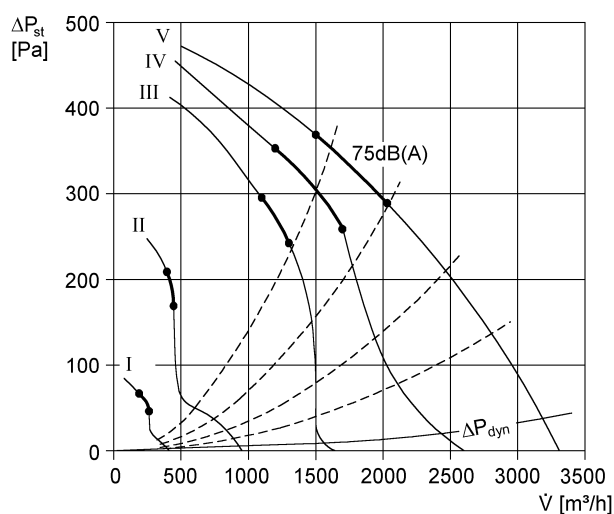
Sound power level in octave range

	63 Hz	125 Hz	250 Hz	500 Hz	1 kHz	2 kHz	4 kHz	8 kHz	Total
L_{WA5}, S1 (dB(A))	28	38	41	44	49	32	21	11	51
L_{WA5}, S2 (dB(A))	39	46	46	53	47	56	34	23	59
L_{WA5}, S3 (dB(A))	43	57	54	58	55	62	52	36	66
L_{WA5}, S4 (dB(A))	47	65	63	64	63	60	69	49	73
L_{WA5}, S5 (dB(A))	49	67	75	70	67	66	74	60	79
L_{WA8}, S1 (dB(A))	28	43	47	45	49	34	26	15	55
L_{WA8}, S2 (dB(A))	39	50	53	55	47	58	36	23	61
L_{WA8}, S3 (dB(A))	43	61	57	61	55	61	55	40	68
L_{WA8}, S4 (dB(A))	47	73	72	75	63	73	74	64	76
L_{WA8}, S5 (dB(A))	49	68	65	68	67	65	68	51	82

L_{WA5}= free inlet sound power level in dB.

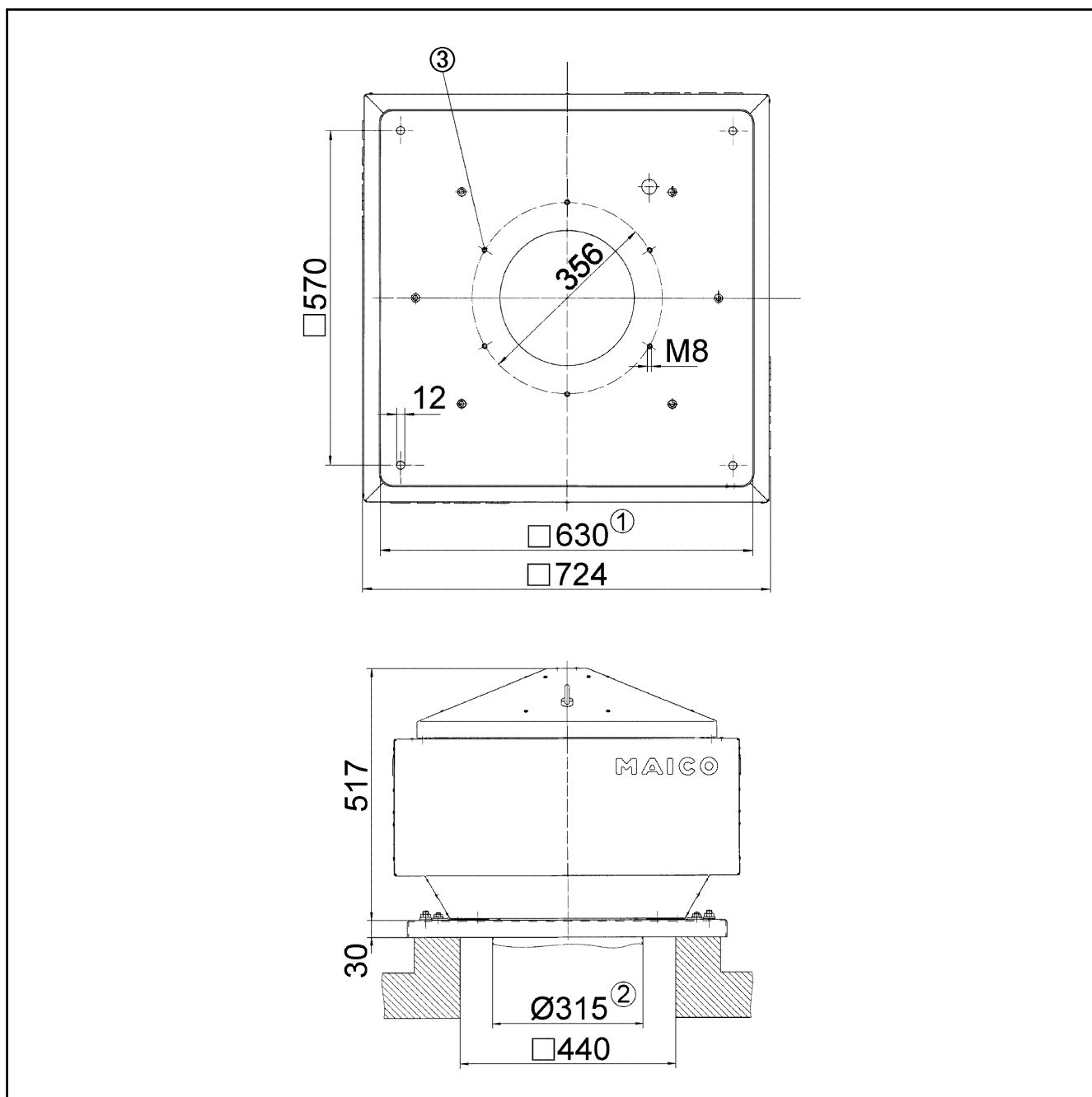
L_{WA8}= housing and free outlet sound power level in dB.

Characteristic curve



ERD 31/4 B

Dimensioned drawing [mm]



- ① Clear width
- ② External duct diameter
- ③ Number of holes: 8