

ERD 35/6 B



Short description

Centrifugal roof fan, vertical air outlet, DN 355, single-phase AC

Application examples

Production facility, Workplace, Commercial premises, Industrial building, Restaurant

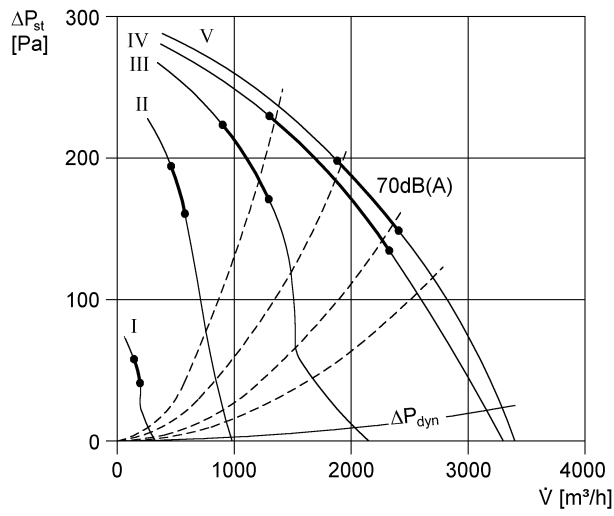
Article number 0087.0007

Technical data

Air flow volume	3.400 m ³ /h
Speed controllable	✓
Reversing capacity	–
Rated voltage	230 V
Degree of protection	IP 55
Installation site	Roof
Installation position	vertical
Material	Sheet steel, galvanised
Weight	60
Weight including packaging	60 kg
Shutter	integrated
Type of shutter	Airstream-operated opening/closing
Nominal size	355 mm
Width with packaging	840 mm
Height with packaging	640 mm
Depth with packaging	840 mm
Airstream temperature at I _{Max}	60 °C
Packing unit	1 piece
Range	C
GTIN (EAN)	4012799870074

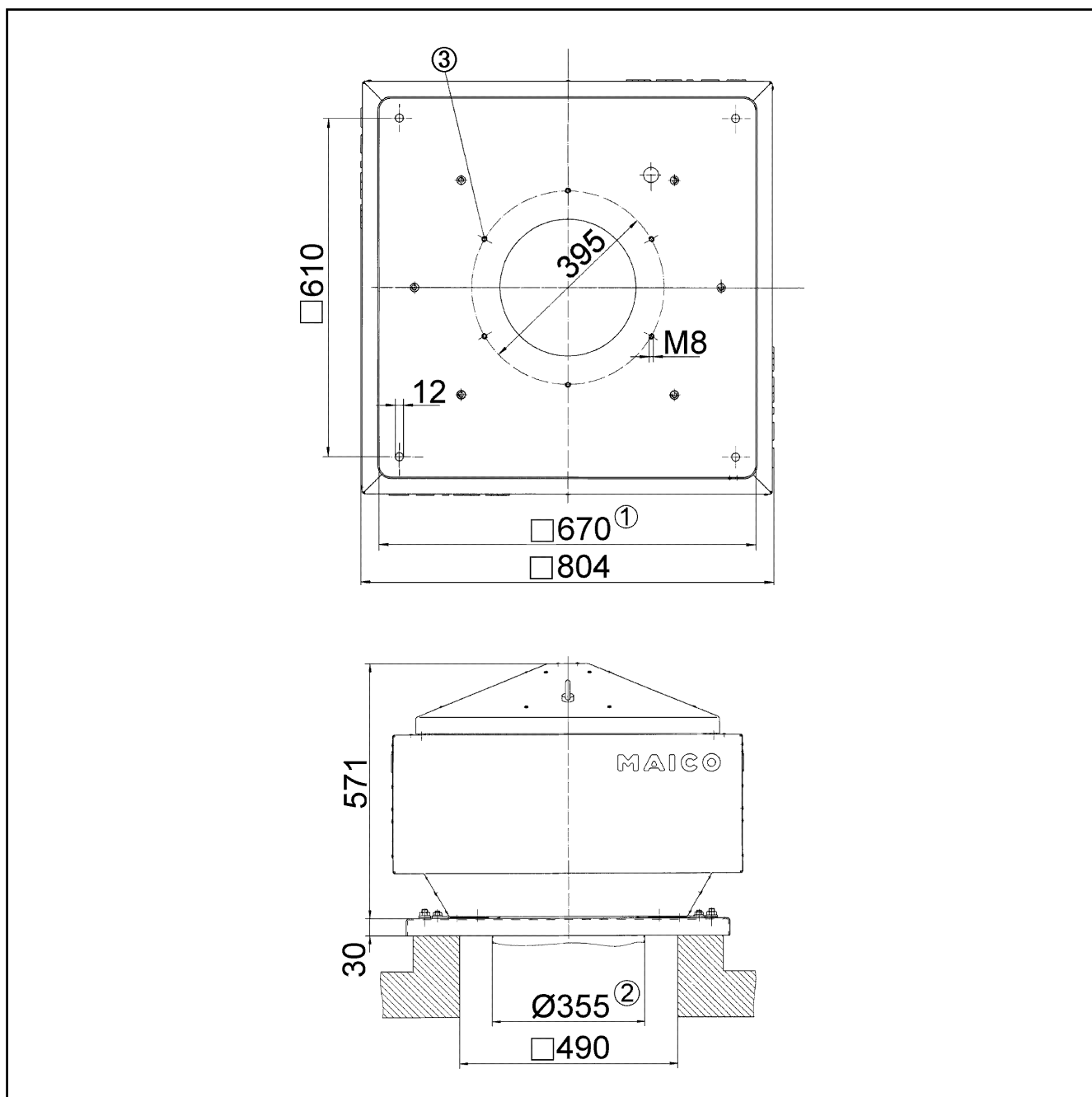
ERD 35/6 B

Characteristic curve



ERD 35/6 B

Dimensioned drawing [mm]



- ① Clear width
- ② External duct diameter
- ③ Number of holes: 8