

ERH 16-2



Short description

Electrical air heater, DN 160, 230 VAC / 50 Hz, 2.1 KW

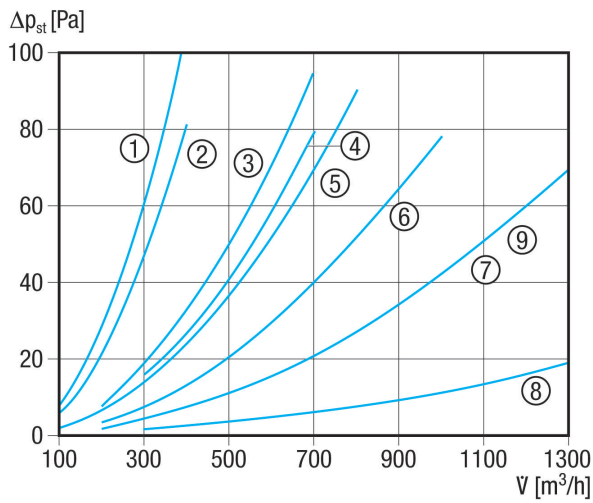
Article number 0082.0102

Technical data

Type of voltage	Alternating current
Rated voltage	230 V
Frequency	50 Hz
I _{max}	9,1 A
Degree of protection	IP 43
Installation	Inside
Installation position	horizontal / vertical
Housing material	Sheet steel, galvanised
Weight	3,14 kg
Weight including packaging	3,53 kg
Nominal size	160 mm
Width	160 mm
Height	241 mm
Depth	375 mm
Width with packaging	235 mm
Height with packaging	305 mm
Depth with packaging	385 mm
Air heater type	electrical
Heater power rating	2.100 W
Packing unit	1 piece
Range	C
GTIN (EAN)	4012799821021

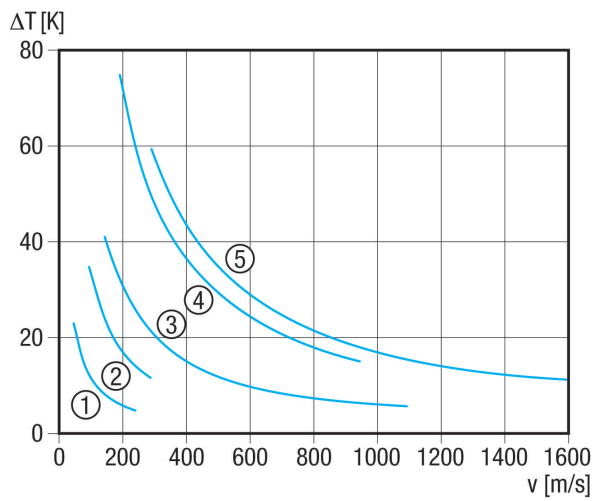
ERH 16-2

Characteristic curve Pressure losses



- ① DRH 16-5
- ② ERH 12-1
- ③ ERH 16-2
- ④ ERH 10-04
- ⑤ DRH 20-5
- ⑥ DRH 25-6
- ⑦ ERH 20-2
- ⑧ DRH 25-2
- ⑨ DRH 31-6

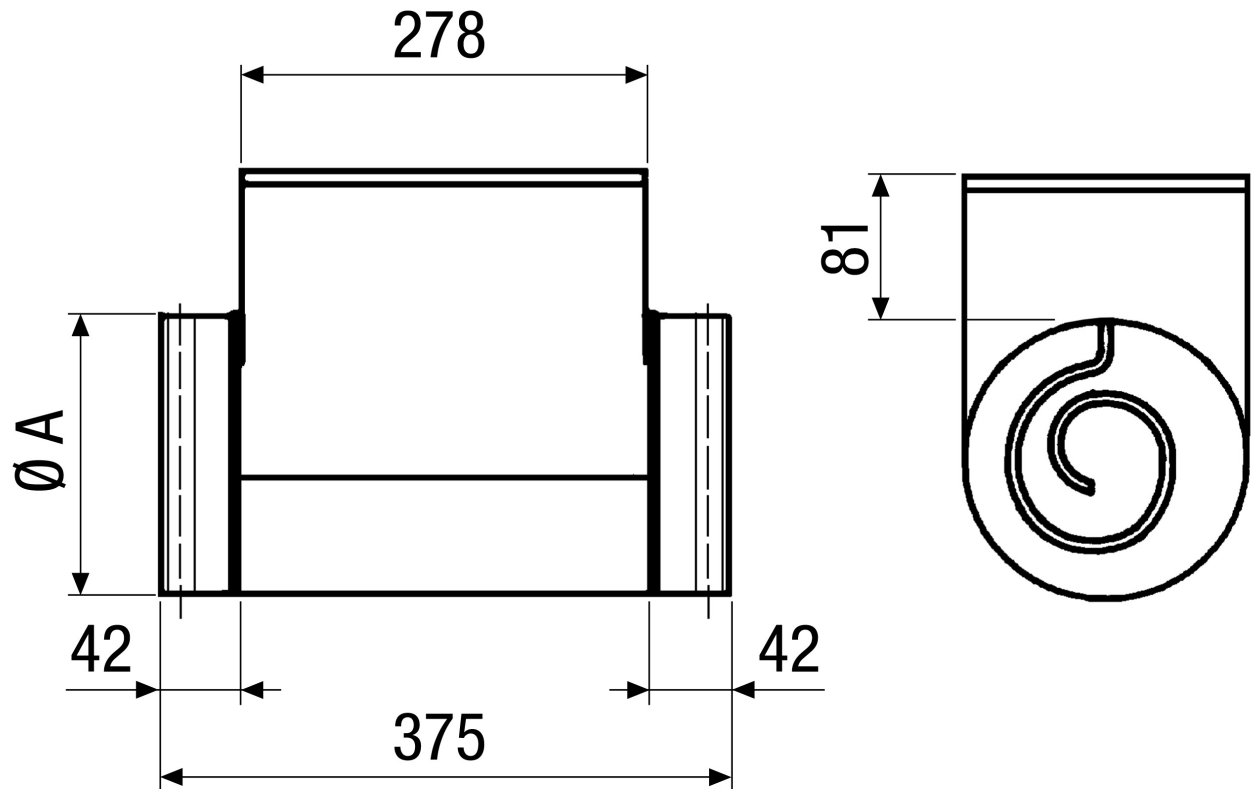
Characteristic curve Temperature rise



- ① ERH 10-4
- ② ERH 12-1
- ③ ERH 16-2, ERH 20-2, ERH 25-2
- ④ DRH 16-5, DRH 20-5
- ⑤ DRH 25-6, DRH 31-6

ERH 16-2

Dimensioned drawing [mm]



A
160