

ERH 16-2 R



Short description

Electrical air heater with integrated temperature controller, DN 160, 230 VAC/50 Hz, 2.1 KW

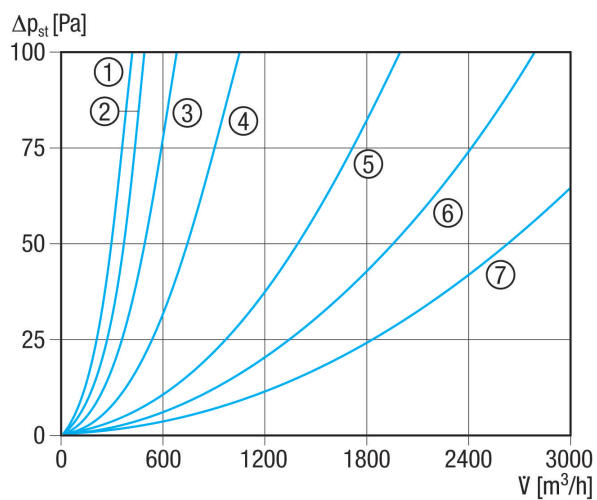
Article number 0082.0142

Technical data

Minimum air flow volume	110 m³/h
Type of voltage	Alternating current
Rated voltage	230 V
Frequency	50 Hz
I _{max}	9,1 A
Degree of protection	IP 43
Installation	inside and outside
Installation position	horizontal / vertical
Housing material	Sheet steel, galvanised
Weight	3,41 kg
Weight including packaging	3,81 kg
Nominal size	160 mm
Width	160 mm
Height	241 mm
Depth	375 mm
Width with packaging	230 mm
Height with packaging	300 mm
Depth with packaging	385 mm
Air heater type	electrical
Heater power rating	2.100 W
Packing unit	1 piece
Range	C
GTIN (EAN)	4012799821427

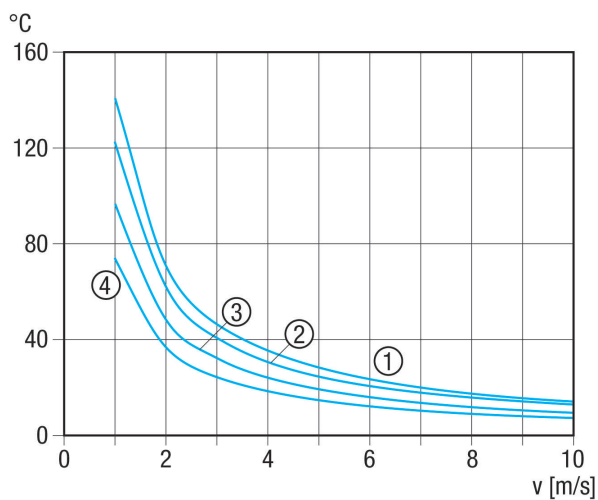
ERH 16-2 R

Characteristic curve Pressure losses



- ① ERH 16-2 R
- ② DRH 16-5 R
- ③ DRH 20-6 R
- ④ DRH 25-9 R
- ⑤ DRH 31-12 R
- ⑥ DRH 35-12 R
- ⑦ DRH 40-12 R

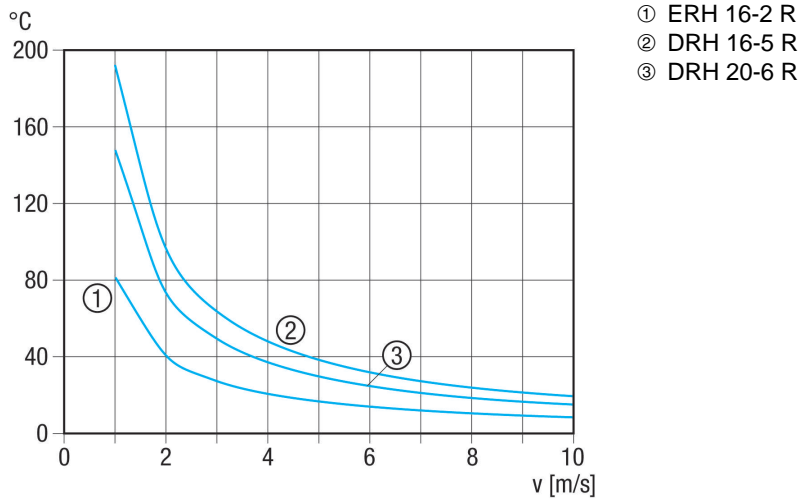
Characteristic curve Increase in temperature



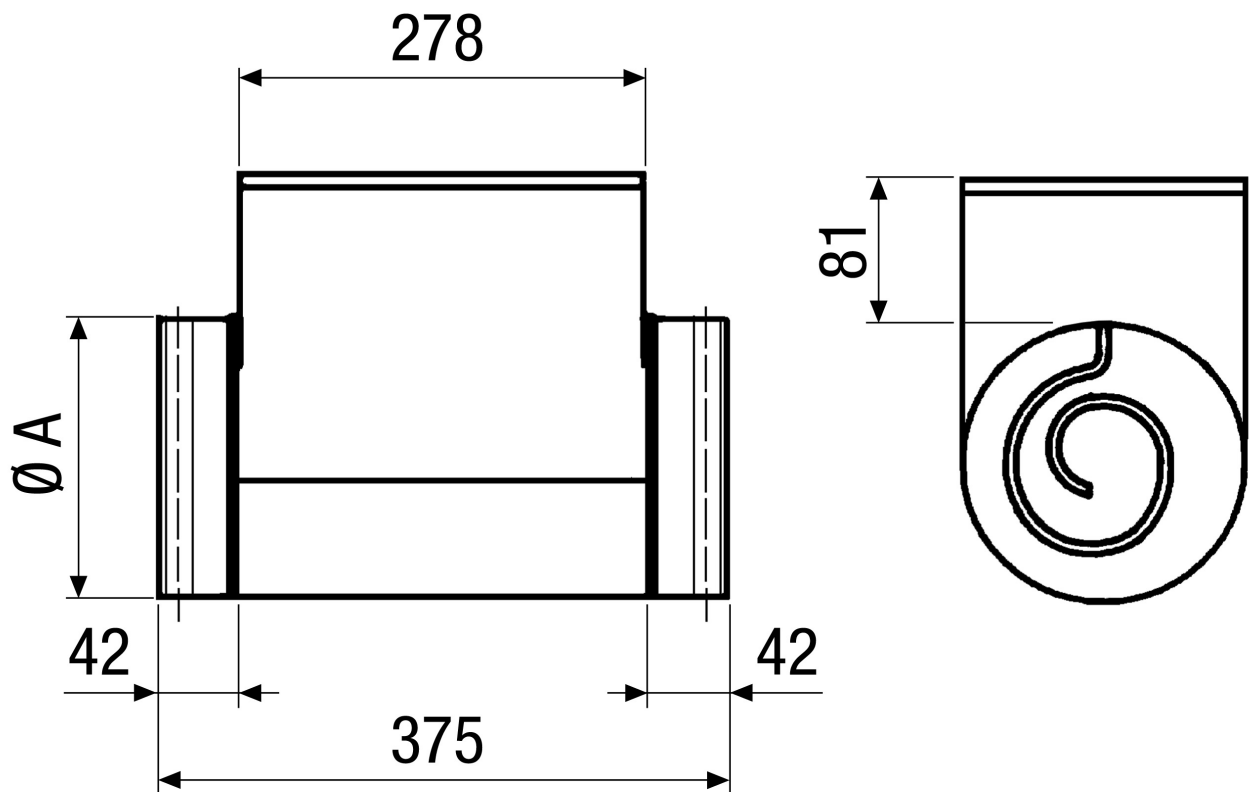
- ① DRH 25-9 R
- ② DRH 31-12 R
- ③ DRH 35-12 R
- ④ DRH 40-12 R

ERH 16-2 R

Characteristic curve Increase in temperature



Dimensioned drawing [mm]



A

160



ERH 16-2 R

DRH 35-12 R: No rubber seal on the connection couplings