

ERH 20-2



Short description

Electrical air heater, DN 200, 230 VAC / 50 Hz, 2.1 KW

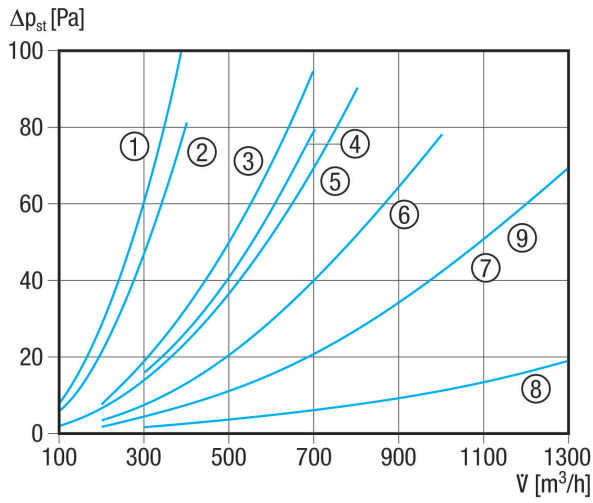
Article number 0082.0103

Technical data

Type of voltage	Alternating current
Rated voltage	230 V
Frequency	50 Hz
I_{max}	9,1 A
Degree of protection	IP 43
Installation	inside and outside
Installation position	horizontal / vertical
Housing material	Sheet steel, galvanised
Weight	3,7 kg
Weight including packaging	4,2 kg
Nominal size	200 mm
Width	200 mm
Height	281 mm
Depth	375 mm
Width with packaging	270 mm
Height with packaging	335 mm
Depth with packaging	385 mm
Air heater type	electrical
Heater power rating	2.100 W
Packing unit	1 piece
Range	C
GTIN (EAN)	4012799821038

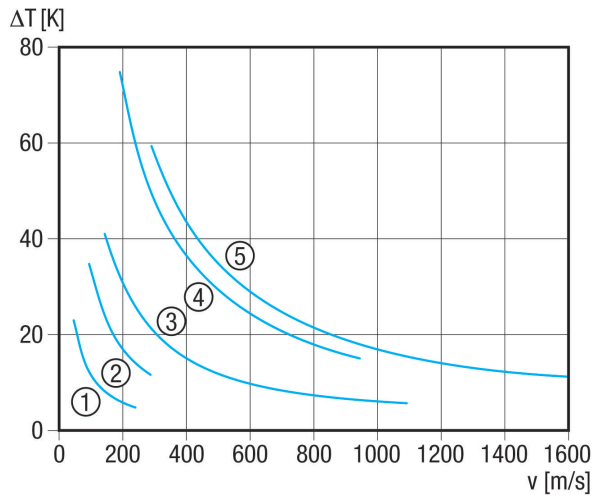
ERH 20-2

Characteristic curve Pressure losses



- ① DRH 16-5
- ② ERH 12-1
- ③ ERH 16-2
- ④ ERH 10-04
- ⑤ DRH 20-5
- ⑥ DRH 25-6
- ⑦ ERH 20-2
- ⑧ DRH 25-2
- ⑨ DRH 31-6

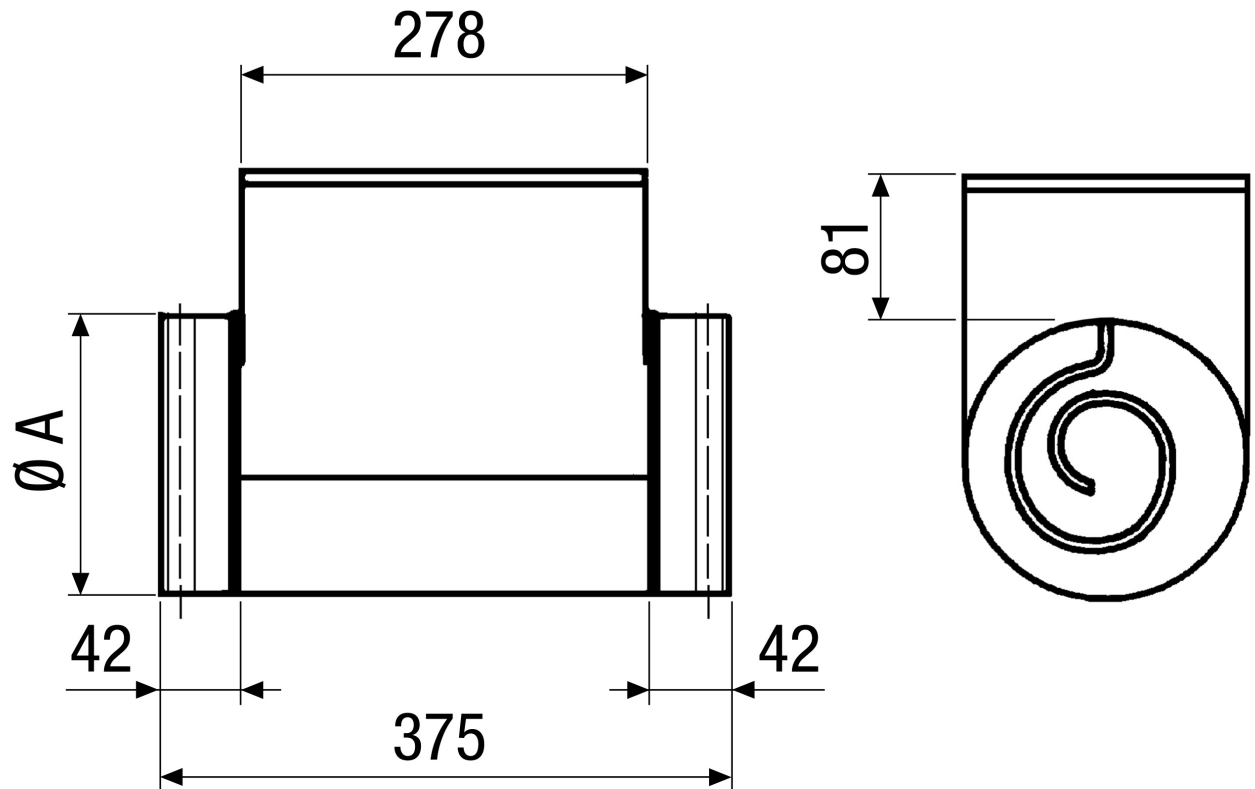
Characteristic curve Temperature rise



- ① ERH 10-04
- ② ERH 12-1
- ③ ERH 16-2, ERH 20-2, ERH 25-2
- ④ DRH 16-5, DRH 20-5
- ⑤ DRH 25-6, DRH 31-6

ERH 20-2

Dimensioned drawing [mm]



A
200