

ERM 15



Short description

Semi-centrifugal duct fan, DN 150, single-phase AC

Application examples

Commercial premises, Canteen, Air extraction system, Workshop, Workplace air extraction system

Article number 0080.0203

Technical data

Air flow volume	140 m ³ /h (Measured with 1 m duct on the inlet and outlet side)
Rotating speed	2.600 1/min
Impeller type	semi-radial
Speed controllable	✓
Type of voltage	Alternating current
Rated voltage	230 V
Frequency	50 Hz
Nominal output	38 W
I _{nom}	0,26 A
I _{max}	0,26 A
Degree of protection	IP 54
Insulation class	B
Mains cable	3 x 1,5 mm ²
Housing material	Synthetic material, shock-resistant
Colour	Pearl white, similar to RAL 1013
Weight	1,8 kg
Weight including packaging	2,015 kg
Nominal size	150 mm
Width	148 mm
Height	205 mm
Depth	187 mm
Width with packaging	225 mm
Height with packaging	225 mm
Depth with packaging	190 mm
Airstream temperature at nominal current	-20 °C up to 55 °C
Airstream temperature at I _{Max}	-20 °C up to 55 °C
Packing unit	1 piece
Range	C
GTIN (EAN)	4012799802037

ERM 15

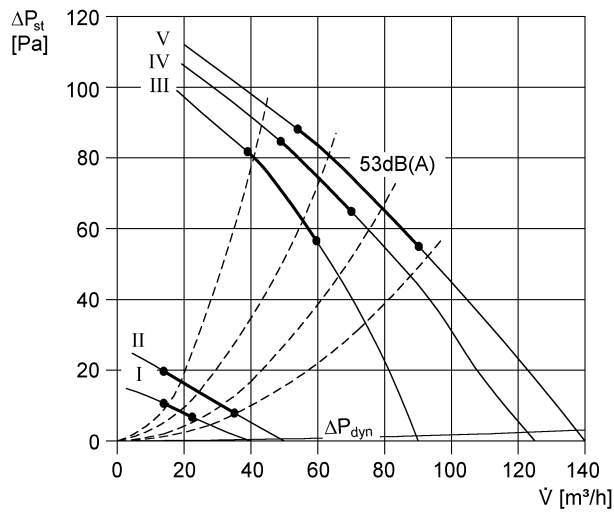
Sound power level in octave range

	63 Hz	125 Hz	250 Hz	500 Hz	1 kHz	2 kHz	4 kHz	8 kHz	Total
L_{WA2}, S1 (dB(A))	19	20	15	19	19	1	12	0	26
L_{WA2}, S2 (dB(A))	19	25	20	21	24	11	16	6	30
L_{WA2}, S3 (dB(A))	19	28	24	25	27	18	19	9	33
L_{WA2}, S4 (dB(A))	22	37	36	40	41	37	34	24	46
L_{WA2}, S5 (dB(A))	26	42	39	42	45	40	36	28	49
L_{WA5}, S1 (dB(A))	11	13	13	16	17	11	11	0	22
L_{WA5}, S2 (dB(A))	13	18	20	24	25	17	16	6	29
L_{WA5}, S3 (dB(A))	16	24	25	30	32	24	20	9	35
L_{WA5}, S4 (dB(A))	25	36	43	48	50	45	41	29	53
L_{WA5}, S5 (dB(A))	27	39	46	51	53	49	44	36	57
L_{WA6}, S1 (dB(A))	26	25	21	23	24	10	17	8	32
L_{WA6}, S2 (dB(A))	25	27	23	28	30	19	21	13	35
L_{WA6}, S3 (dB(A))	26	30	27	34	35	29	27	22	40
L_{WA6}, S4 (dB(A))	29	39	43	50	53	49	45	34	57
L_{WA6}, S5 (dB(A))	30	43	46	53	56	53	49	40	60

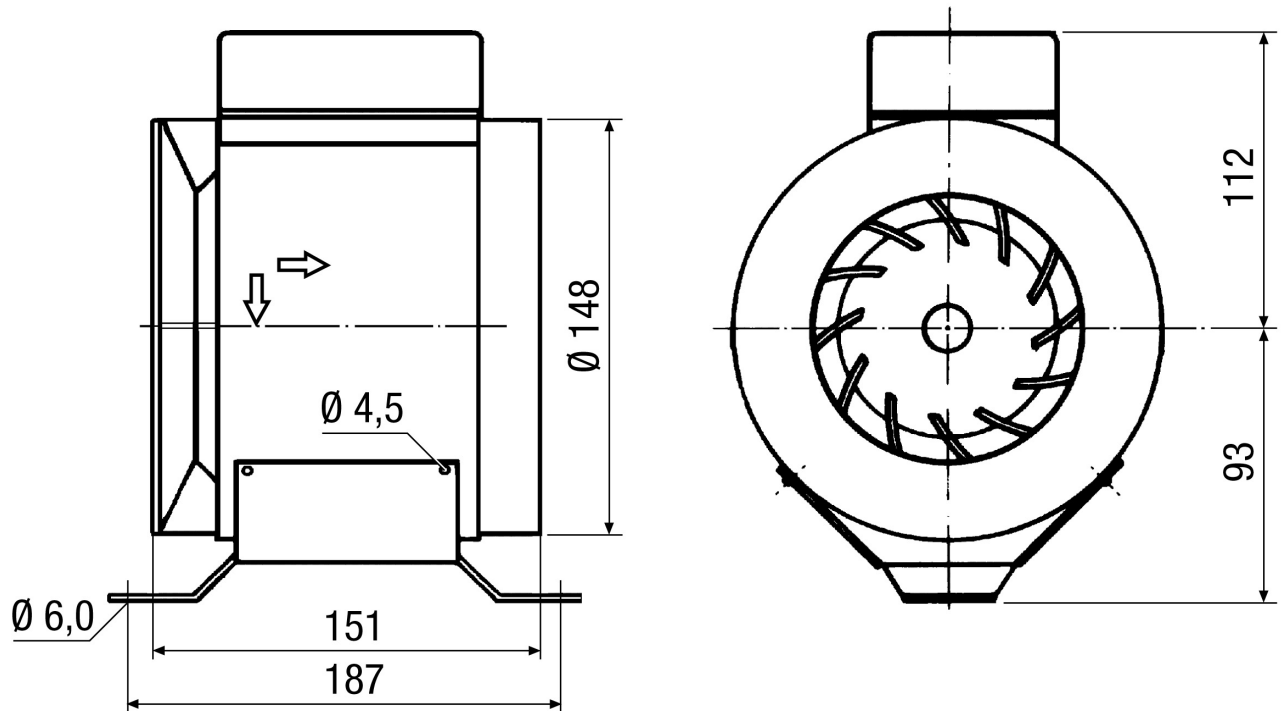
L_{WA2}= housing sound power level in dB.
 L_{WA5}= free inlet sound power level in dB.
 L_{WA6}= free outlet sound power level in dB.

ERM 15

Characteristic curve



Dimensioned drawing [mm]



ERM 15

