

ERM 28



Short description

Semi-centrifugal duct fan, DN 280, single-phase AC

Application examples

Commercial premises, Canteen, Air extraction system, Workshop, Workplace air extraction system

Article number 0080.0206

Technical data

Air flow volume	1.200 m ³ /h (Measured with 1 m duct on the inlet and outlet side)
Rotating speed	2.600 1/min
Speed controllable	✓
Type of voltage	Alternating current
Rated voltage	230 V
Frequency	50 Hz
Nominal output	340 W
I _{nom}	1,6 A
I _{max}	2,8 A
Degree of protection	IP 55
Insulation class	F
Mains cable	3 x 1,5 mm ²
Housing material	Synthetic material, shock-resistant
Colour	Pearl white, similar to RAL 1013
Weight	10,1 kg
Weight including packaging	10,75 kg
Nominal size	280 mm
Width with packaging	350 mm
Height with packaging	260 mm
Depth with packaging	300 mm
Airstream temperature at nominal current	-20 °C up to 60 °C
Airstream temperature at I _{Max}	-20 °C up to 60 °C
Packing unit	1 piece
Range	C
GTIN (EAN)	4012799802068

ERM 28

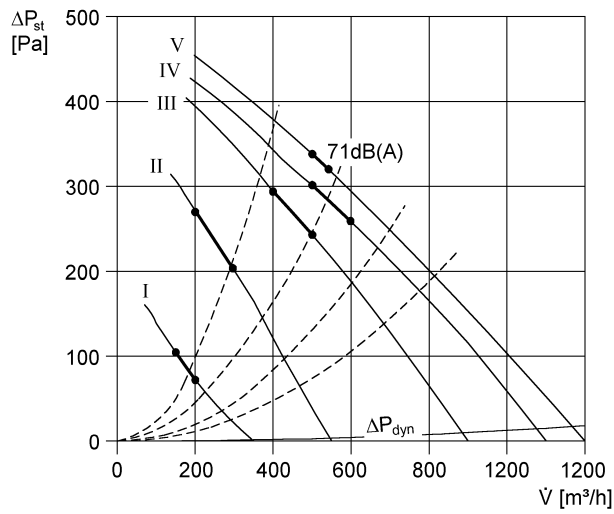
Sound power level in octave range

	63 Hz	125 Hz	250 Hz	500 Hz	1 kHz	2 kHz	4 kHz	8 kHz	Total
L_{WA2}, S1 (dB(A))	20	24	29	31	31	27	24	18	41
L_{WA5}, S1 (dB(A))	22	27	29	36	37	34	23	20	46
L_{WA6}, S1 (dB(A))	18	27	32	39	39	36	28	19	50
L_{WA2}, S2 (dB(A))	22	35	40	44	41	42	31	16	53
L_{WA5}, S2 (dB(A))	29	38	43	49	51	46	41	36	60
L_{WA6}, S2 (dB(A))	29	41	45	52	53	51	45	36	64
L_{WA2}, S3 (dB(A))	28	43	51	50	51	53	43	27	63
L_{WA5}, S3 (dB(A))	34	49	54	62	63	58	53	49	72
L_{WA6}, S3 (dB(A))	35	50	57	65	65	64	58	50	76
L_{WA2}, S4 (dB(A))	30	46	55	56	56	58	49	32	67
L_{WA5}, S4 (dB(A))	37	52	58	66	68	63	58	54	77
L_{WA6}, S4 (dB(A))	38	52	62	69	69	69	63	55	80
L_{WA2}, S5 (dB(A))	31	47	58	58	59	61	51	36	70
L_{WA5}, S5 (dB(A))	38	53	60	69	71	66	61	57	79
L_{WA6}, S5 (dB(A))	39	54	65	72	72	73	66	58	83

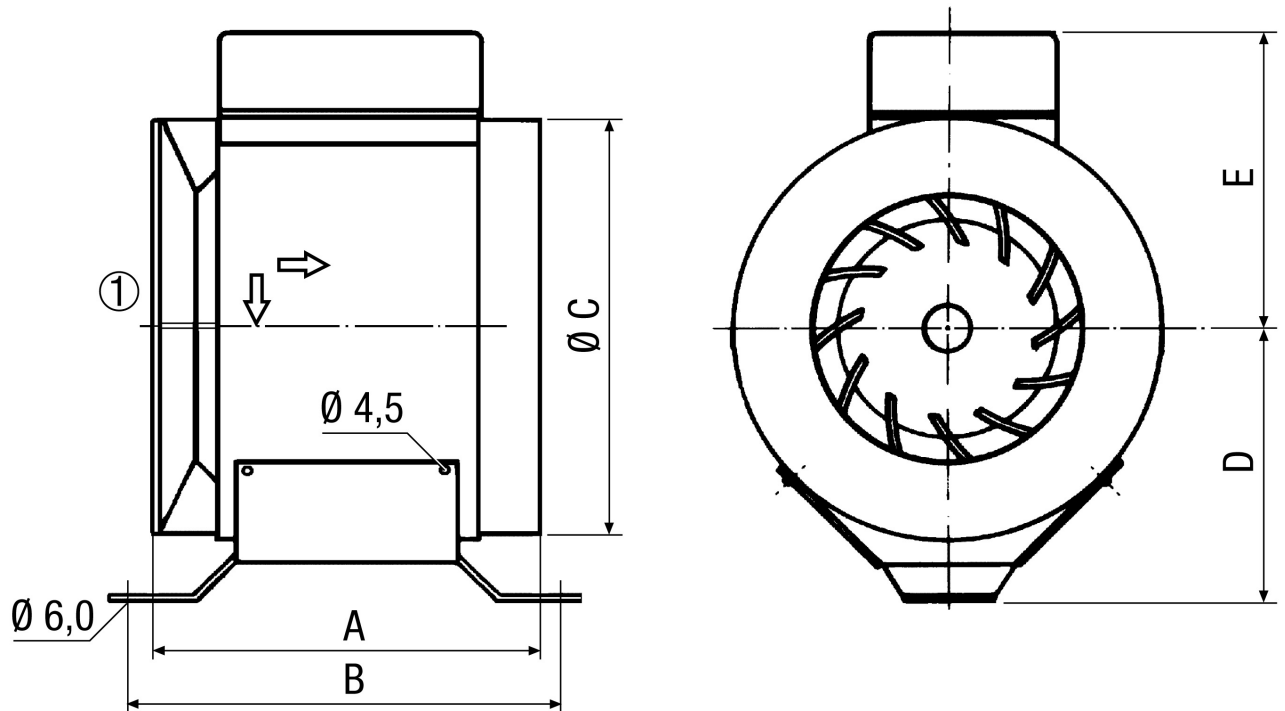
L_{WA2}= housing sound power level in dB.
 L_{WA5}= free inlet sound power level in dB.
 L_{WA6}= free outlet sound power level in dB.

ERM 28

Characteristic curve



Dimensioned drawing [mm]





ERM 28

A	B	C	D	E
240	267	278	172	190