

# ERR 16/1 N



## Short description

Centrifugal roof fan, DN 160, low energy consumption, alternating current

## Application examples

Machine extraction unit, Workplace air extraction system, Production site, Storage facility, Laboratory

Article number 0080.0867

## Technical data

Air flow volume	416 m <sup>3</sup> /h
Rotating speed	1.525 1/min
Speed controllable	✓
Reversing capacity	–
Rated voltage	230 V
Frequency	50 Hz/60 Hz
Nominal output	56 W
I <sub>max</sub>	0,55 A
Degree of protection	IP X4
Insulation class	F
Installation position	vertical / horizontal
Housing material	Sheet steel
Colour	powder-coated, similar to RAL 7001
Weight	4,5 kg
Weight including packaging	5,535 kg
Nominal size	160 mm
Width with packaging	385 mm
Height with packaging	300 mm
Depth with packaging	385 mm
Airstream temperature at I <sub>Max</sub>	-20 °C up to 60 °C
Packing unit	1 piece
Range	E
GTIN (EAN)	4012799808671

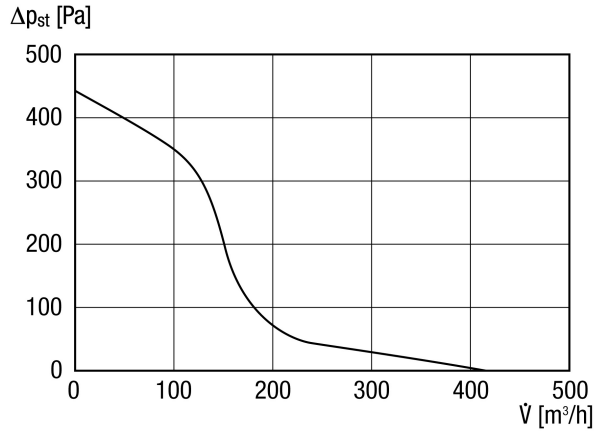
## Sound power level in octave range

	63 Hz	125 Hz	250 Hz	500 Hz	1 kHz	2 kHz	4 kHz	8 kHz	Total
<b>L<sub>WA2, S5</sub></b> <b>(dB(A))</b>	–	39	43	46	49	45	37	20	53

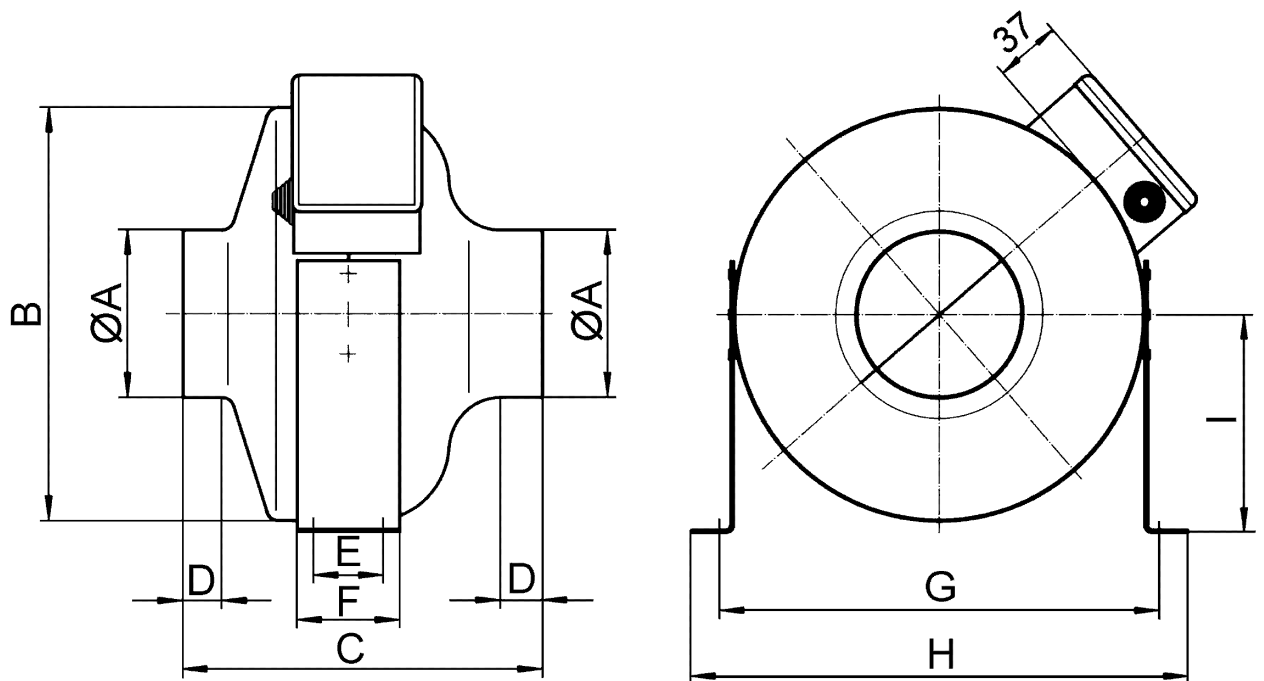
# ERR 16/1 N

$L_{WA2}$ = housing sound power level in dB.

## Characteristic curve



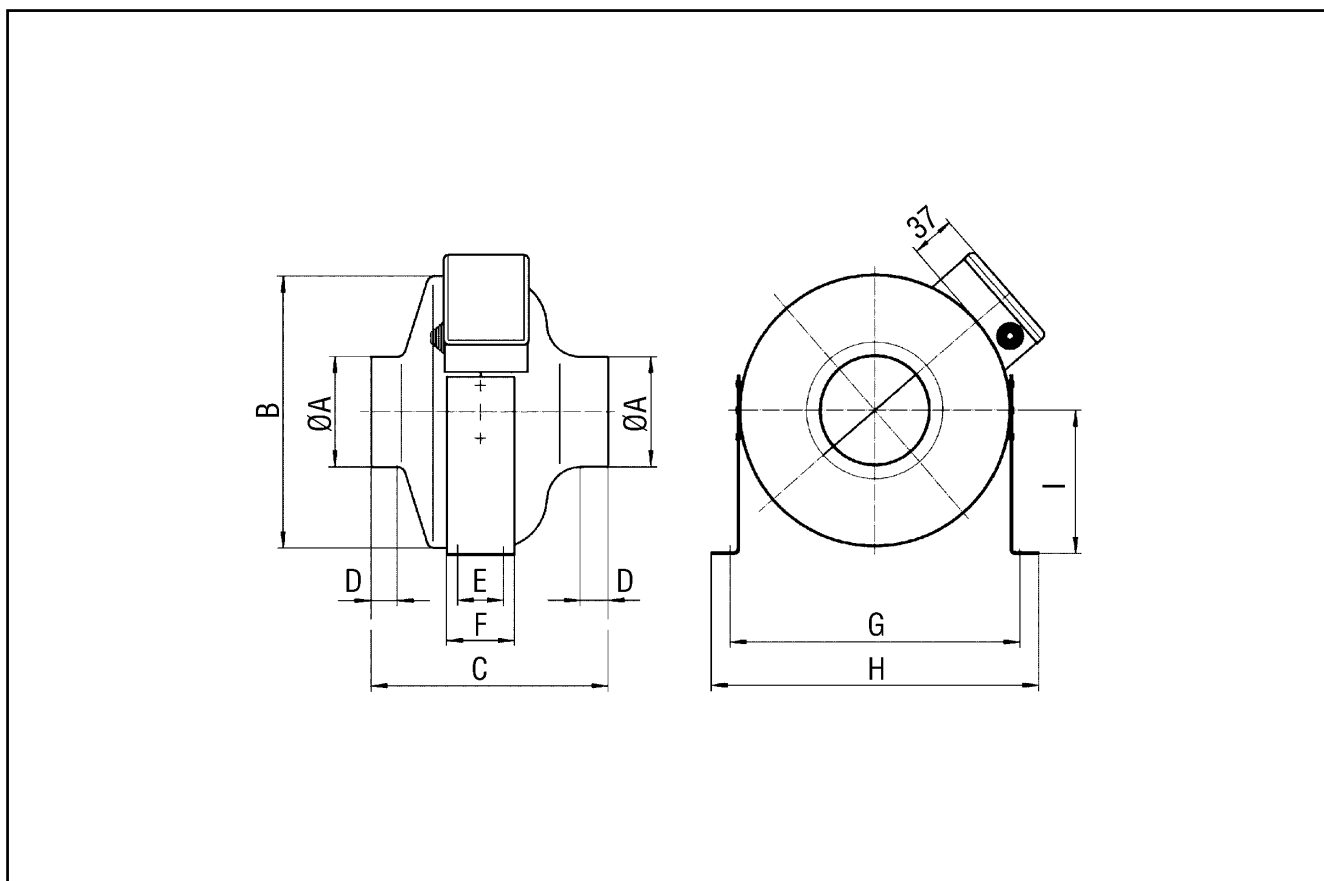
## Dimensioned drawing [mm]



# ERR 16/1 N

A	B	C	D	E	F	G	H	I
158	331	232	22	56	80	372	395	185

Dimensioned drawing [mm]



A	B	C	D	E	F	G	H	I
158	331	232	22	56	80	372	395	185