

# ERV 120



## Short description

Duct-mounted fan for installation in WH 120 wall sleeve

## Application examples

Bathroom, WC, Storage room, Larder, Cellar

Article number 0080.0984

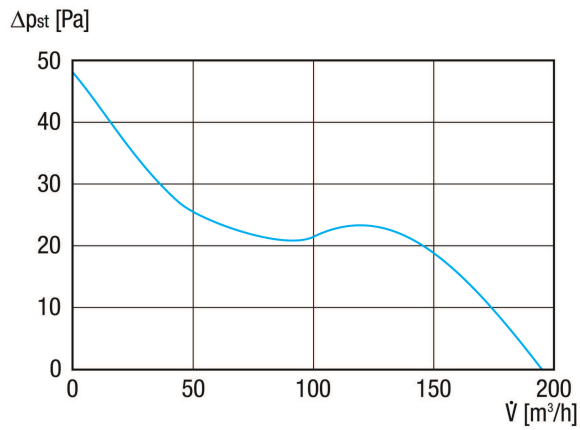
## Technical data

Air flow volume	195 m <sup>3</sup> /h
Rotating speed	2.480 1/min
Air direction	Air extraction
Speed controllable	✓
Reversing capacity	–
Type of voltage	Alternating current
Rated voltage	230 V
Frequency	50 Hz
Nominal output	17 W
I <sub>max</sub>	0,11 A
Degree of protection	IP X2
Pole-changeable	–
Mains cable	3 x 1.5 mm <sup>2</sup>
Installation site	Wall / ceiling
Installation site	Exhaust air room
Type of installation	Duct
Material	Synthetic material
Colour	Traffic white, similar to RAL 9016
Weight	0,6 kg
Weight including packaging	0,7 kg
Nominal size	119 mm
Suitable for nominal size	120 mm
Width	119 mm
Height	119 mm
Depth	97 mm
Width with packaging	130 mm
Height with packaging	120 mm
Depth with packaging	130 mm
Airstream temperature at I <sub>Max</sub>	40 °C

# ERV 120

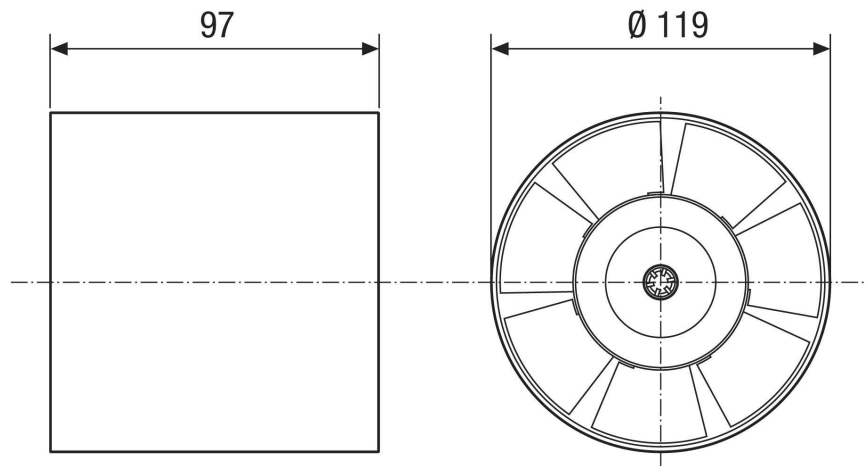
Ta ambient temperature	-20 °C ≤ Ta ≤ +40 °C
Sound pressure level	37 dB(A) (Distance 3 m, Free-field conditions)
Packing unit	1 piece
Range	A
GTIN (EAN)	4012799809845

## Characteristic curve



# ERV 120

Dimensioned drawing [mm]



# ERV 120

Dimensioned drawing [mm]

