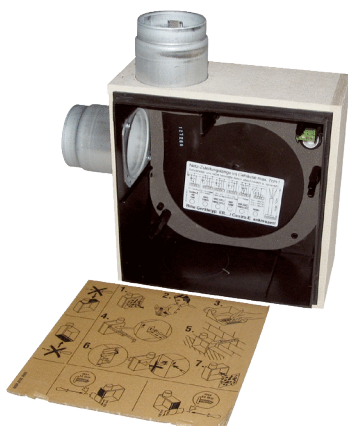


ER - UPB/L



Short description

Fire protection recessed-mounted housing with fire protection shut-off device for all fire protection systems for fitting an ER 60 / ER100 fan insert or Centro-M / Centro-E / Centro-H exhaust air element, second room connection left

Application examples

Bathroom, Kitchen, Multiple family unit, Day room, Dining room

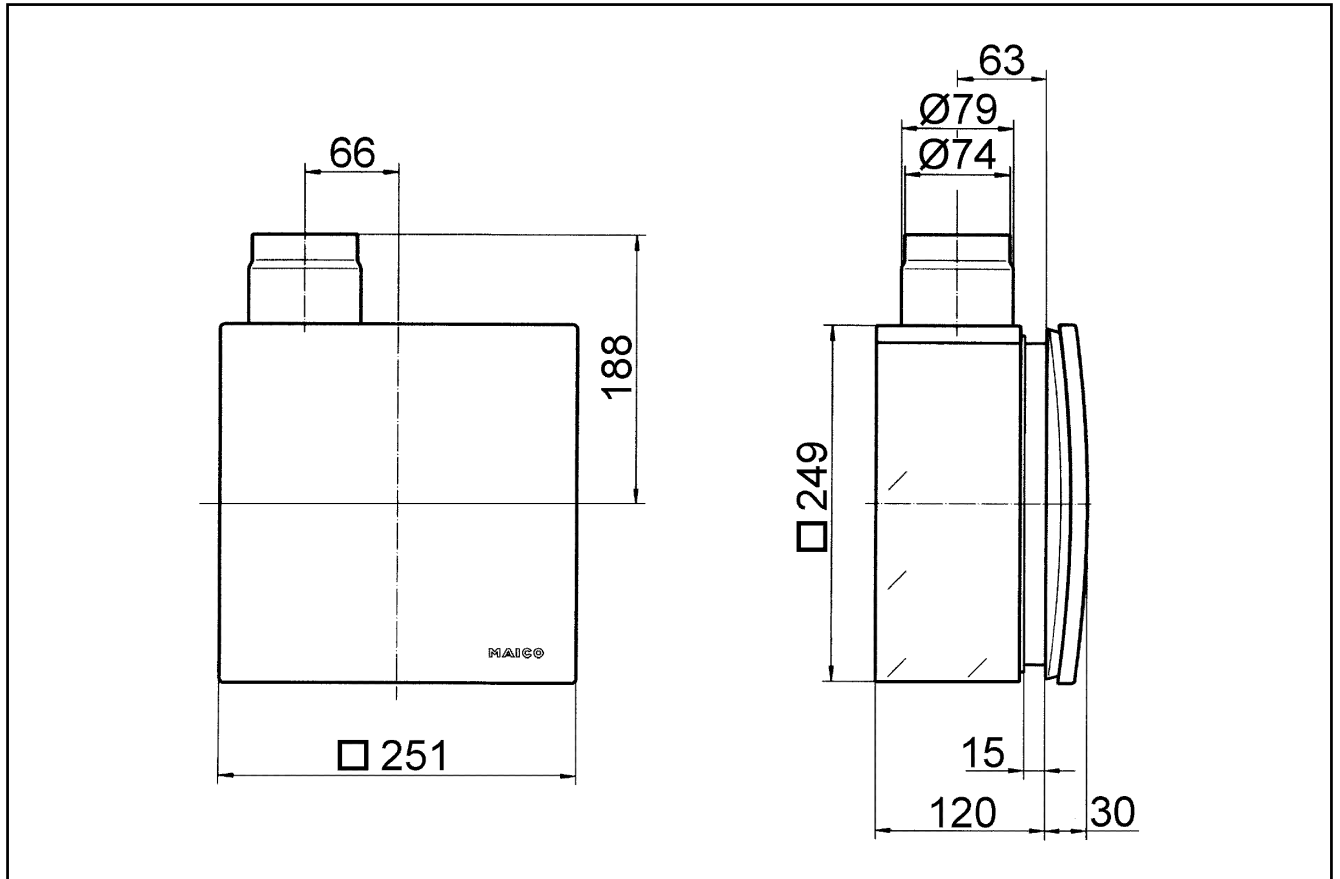
Article number 0093.0970

Technical data

| | |
|----------------------------|---|
| Model | Metal exhaust socket at side with metal shut-off shutter, with airstream-operated triggering device, with fire protection housing, second room connection on left |
| Air direction | Air extraction |
| Installation site | Wall / Ceiling |
| Type of installation | Recessed-mounted |
| Material | Synthetic material |
| Colour | Black |
| Weight | 2,54 kg |
| Weight including packaging | 3,01 kg |
| Fire protection | yes |
| Shut-off device | integrated |
| Air outlet direction | at side |
| Connection diameter | 75 mm / 80 mm |
| Width | 249 mm |
| Height | 249 mm |
| Depth | 120 mm |
| Width with packaging | 350 mm |
| Height with packaging | 350 mm |
| Depth with packaging | 125 mm |
| Approval number | Z-51.1-46 |
| Packing unit | 1 piece |
| Range | B |
| GTIN (EAN) | 4012799939702 |

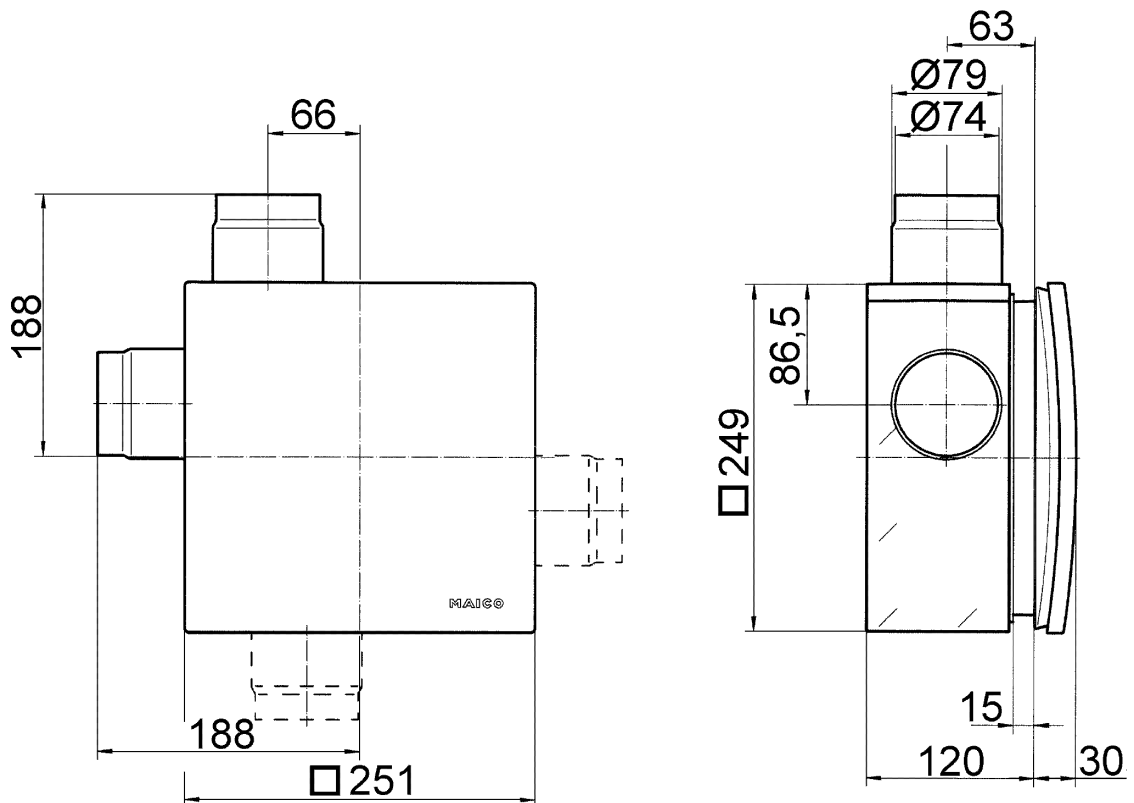
ER - UPB/L

Dimensioned drawing [mm]



ER - UPB/L

Dimensioned drawing [mm]



ER-UPB with second room connection