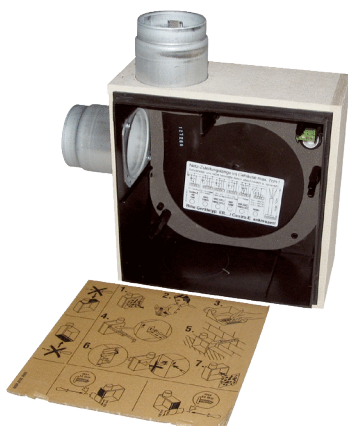


# ER - UPB/L



## Short description

Fire protection recessed-mounted housing with fire protection shut-off device for all fire protection systems for fitting an ER 60 / ER100 fan insert or Centro-M / Centro-E / Centro-H exhaust air element, second room connection left

## Application examples

Bathroom, Kitchen, Multiple family unit, Day room, Dining room

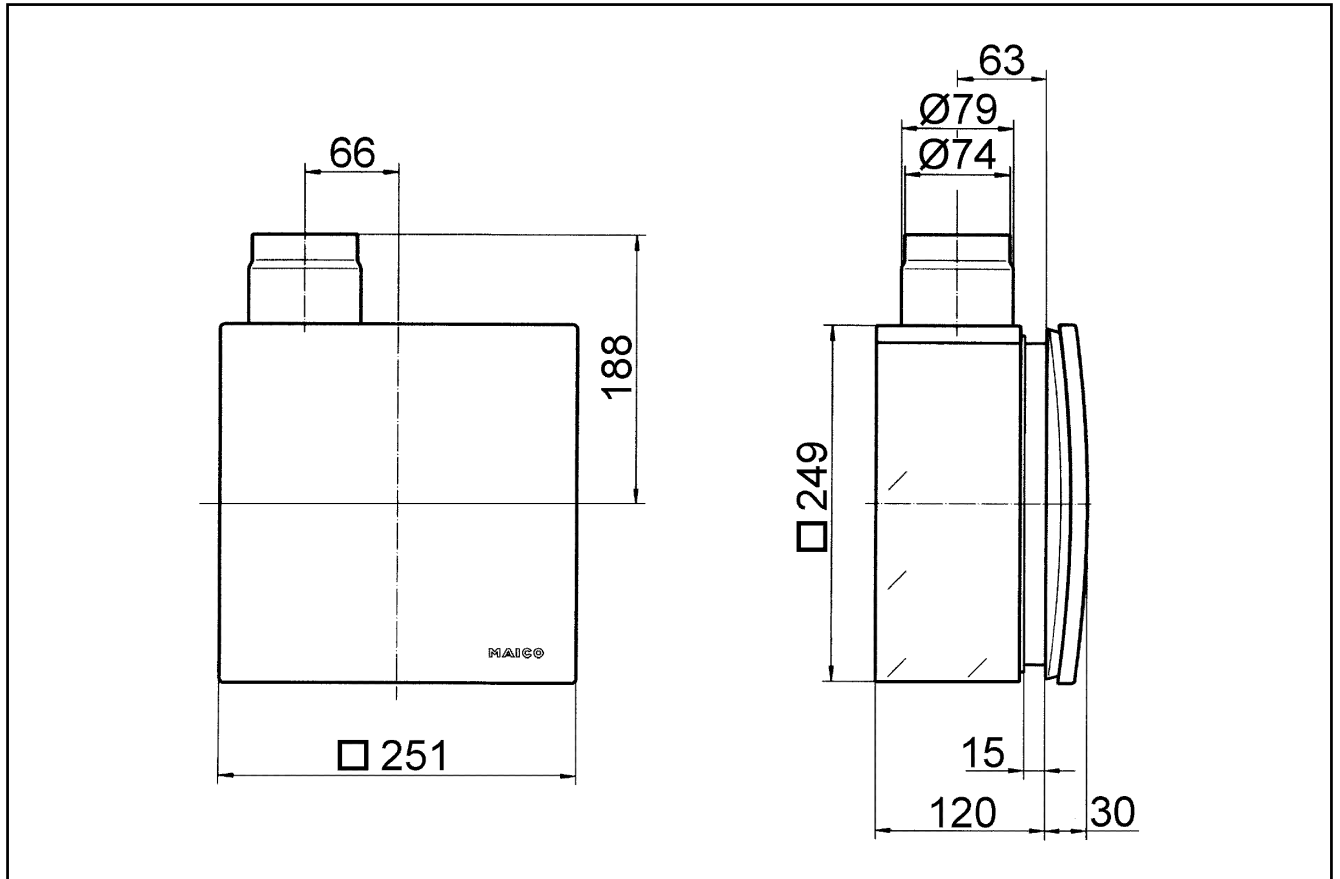
Article number 0093.0970

## Technical data

Model	Metal exhaust socket at side with metal shut-off shutter, with airstream-operated triggering device, with fire protection housing, second room connection on left
Air direction	Air extraction
Installation site	Wall / Ceiling
Type of installation	Recessed-mounted
Material	Synthetic material
Colour	Black
Weight	2,54 kg
Weight including packaging	3,01 kg
Fire protection	yes
Shut-off device	integrated
Air outlet direction	at side
Connection diameter	75 mm / 80 mm
Width	249 mm
Height	249 mm
Depth	120 mm
Width with packaging	350 mm
Height with packaging	350 mm
Depth with packaging	125 mm
Approval number	Z-51.1-46
Packing unit	1 piece
Range	B
GTIN (EAN)	4012799939702

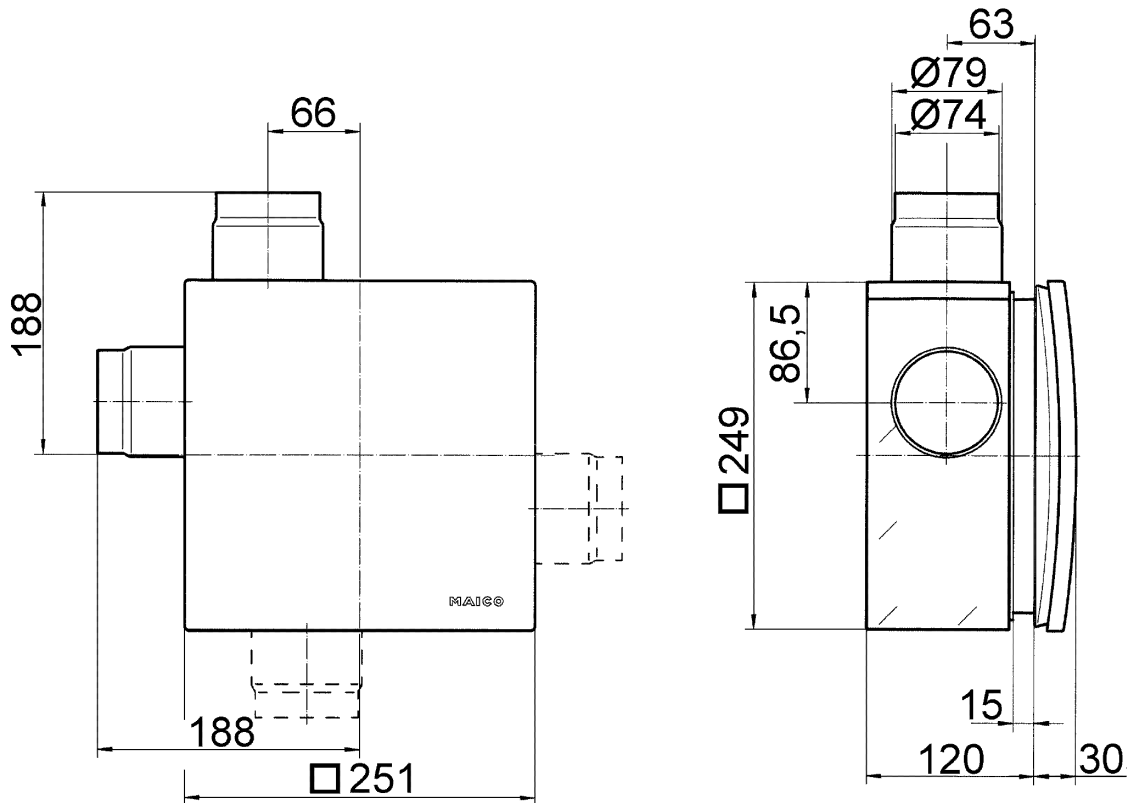
# ER - UPB/L

Dimensioned drawing [mm]



# ER - UPB/L

Dimensioned drawing [mm]



ER-UPB with second room connection