

ER - UPB/R



Short description

Fire protection recessed-mounted housing with fire protection shut-off device for all fire protection systems for fitting an ER 60 / ER100 fan insert or Centro-M / Centro-E / Centro-H exhaust air element, second room connection right

Application examples

Bathroom, Kitchen, Multiple family unit, Day room, Dining room

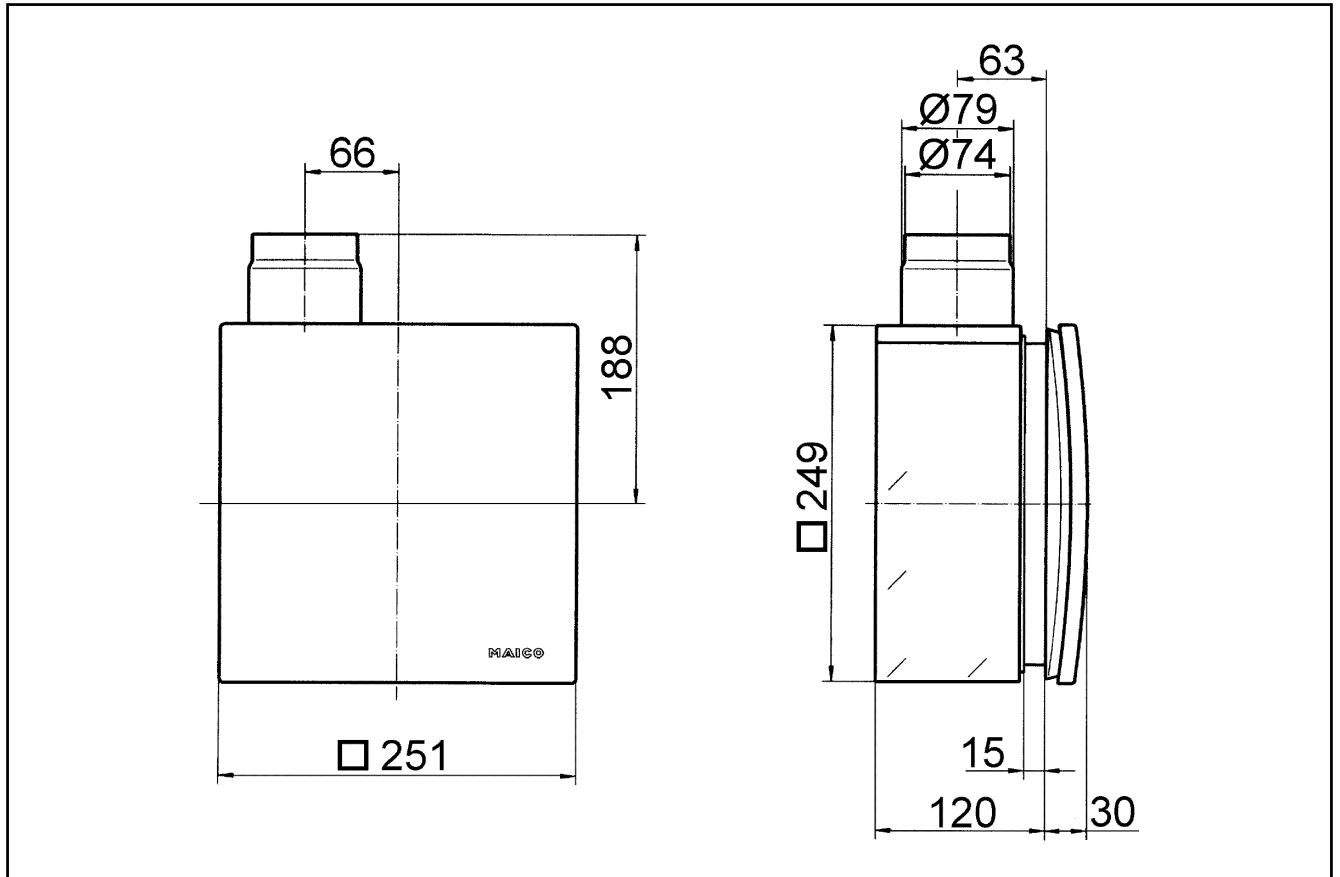
Article number 0093.0969

Technical data

Model	Metal exhaust socket at side with metal shut-off shutter, with airstream-operated triggering device, with fire protection housing, second room connection on right
Air direction	Air extraction
Installation site	Wall / Ceiling
Type of installation	Recessed-mounted
Material	Synthetic material
Colour	Black
Weight	2,67 kg
Weight including packaging	3,14 kg
Fire protection	yes
Shut-off device	integrated
Air outlet direction	at side
Connection diameter	75 mm / 80 mm
Width	249 mm
Height	249 mm
Depth	120 mm
Width with packaging	350 mm
Height with packaging	350 mm
Depth with packaging	125 mm
Approval number	Z-51.1-46
Packing unit	1 piece
Range	B
GTIN (EAN)	4012799939696

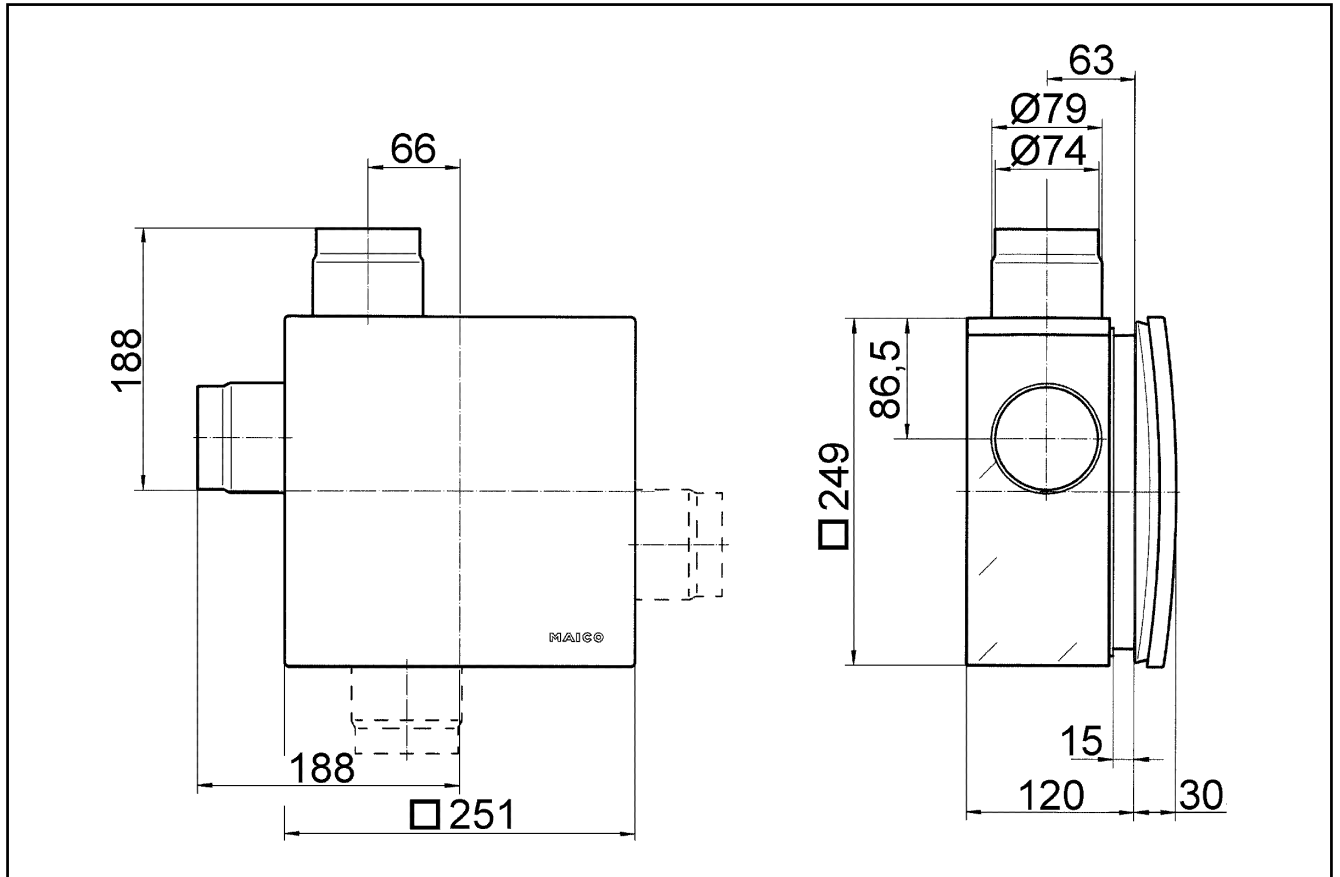
ER - UPB/R

Dimensioned drawing [mm]



ER - UPB/R

Dimensioned drawing [mm]



ER-UPB with second room connection