

ER - UP/G



Short description

Recessed-mounted housing with plastic exhaust socket for fitting an ER 60 / ER100 fan or Centro-M / Centro-E / Centro-H exhaust air element, second room connection possible# on right/left/at bottom

Application examples

Bathroom, Kitchen, Multiple family unit, Day room, Dining room

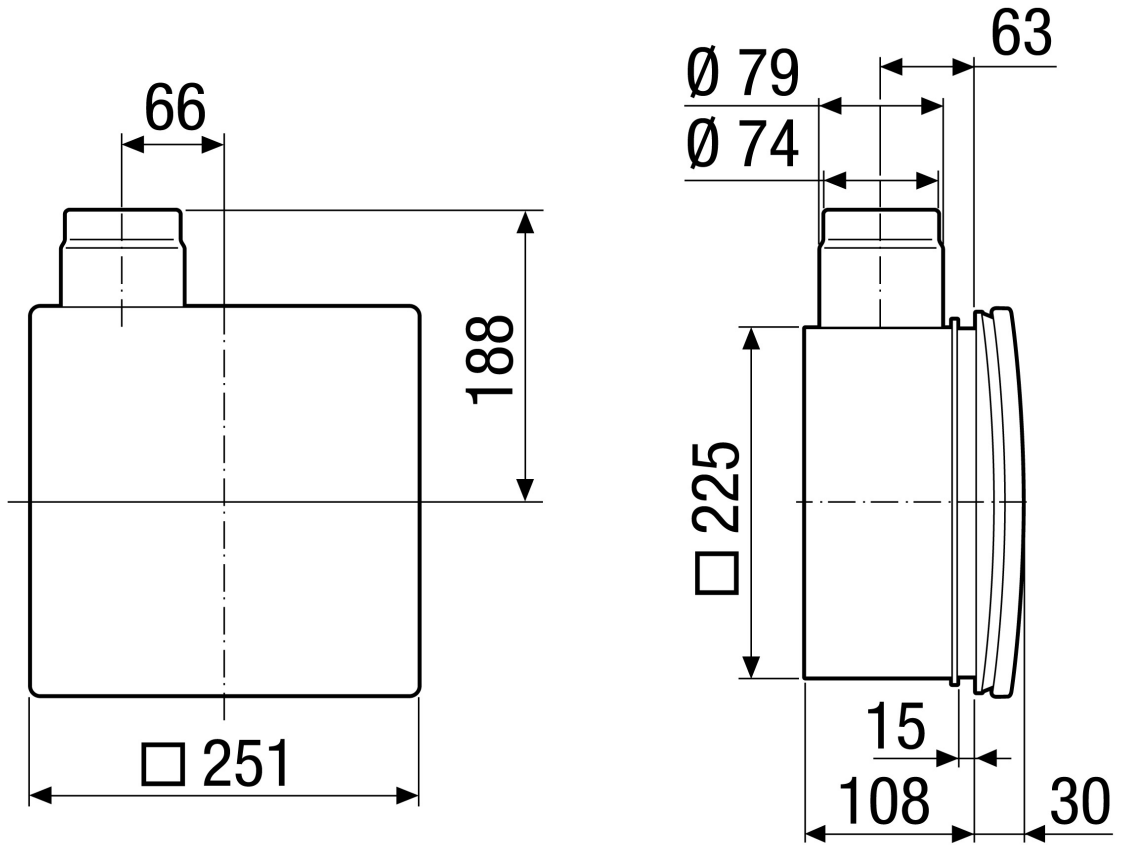
Article number 0093.0995

Technical data

Model	Plastic exhaust socket at side with airstream-operated plastic back-flow preventer, without fire protection housing, second room connection possible on right/left/at bottom
Air direction	Air extraction
Installation site	Wall / Ceiling
Type of installation	Recessed-mounted
Material	Synthetic material
Colour	Black
Weight	0,48 kg
Weight including packaging	0,74 kg
Fire protection	No
Air outlet direction	at side
Connection diameter	75 mm / 80 mm
Width	225 mm
Height	225 mm
Depth	108 mm
Width with packaging	320 mm
Height with packaging	240 mm
Depth with packaging	130 mm
Approval number	Z-51.1-7
Packing unit	1 piece
Range	B
GTIN (EAN)	4012799939955

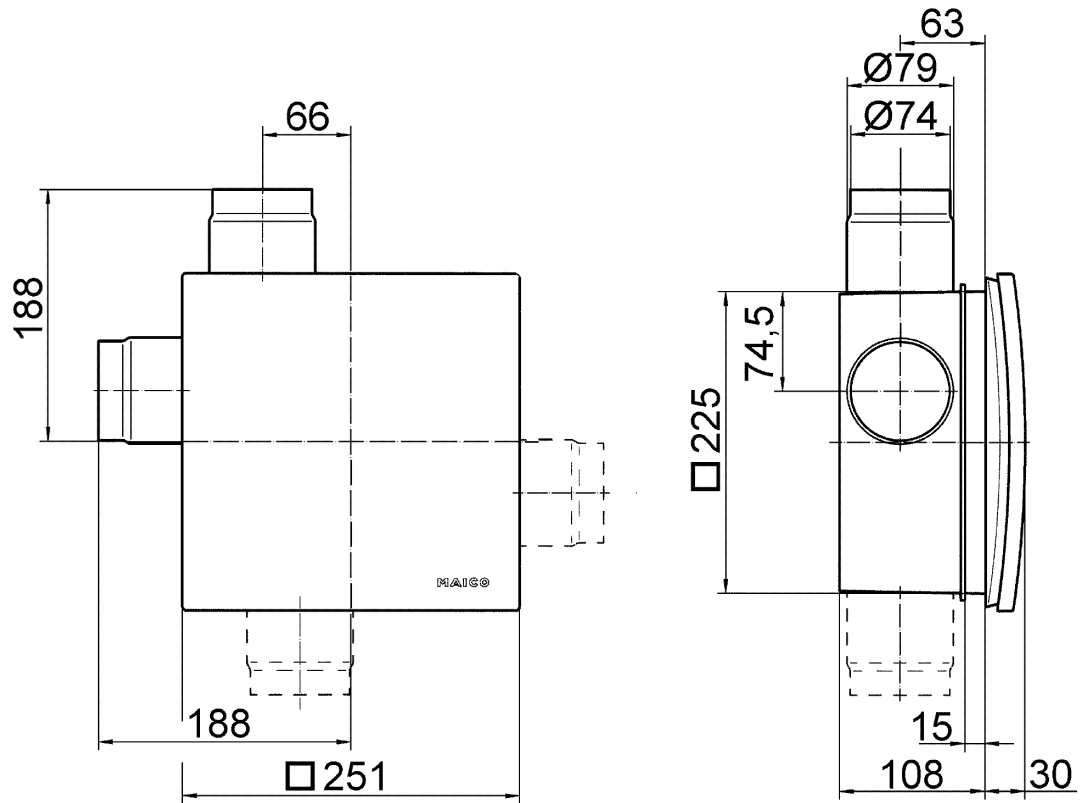
ER - UP/G

Dimensioned drawing [mm]



ER - UP/G

Dimensioned drawing [mm]



ER-UP/G with second room connection