

# ER 100 G



## Short description

Fan insert with cover and filter for installation in recessed-mounted housings, air volume 101 m<sup>3</sup>/h, with base load circuit

## Application examples

Bathroom, Kitchen, Multiple family unit, Day room, Dining room

Article number 0084.0133

## Technical data

|   |  |
|---|--|
| Model                                     | Base load circuit                            |
| Air flow volume                           | 35 m <sup>3</sup> /h / 101 m <sup>3</sup> /h |
| Rotating speed                            | 850 1/min / 1.900 1/min                      |
| Air direction                             | Air extraction                               |
| Speed controllable                        | –  |
| SEC average                               | -6,66 kWh/(m <sup>2</sup> *a)                |
| Type of voltage                           | Alternating current                          |
| Rated voltage                             | 230 V  |
| Frequency                                 | 50 Hz  |
| Power consumption                         | 9 W / 29 W                                   |
| I <sub>max</sub>                          | 0,09 A / 0,14 A                              |
| Degree of protection                      | IP X5  |
| Mains cable                               | 5 x 1,5 mm <sup>2</sup>                      |
| Installation site                         | Wall / Ceiling                               |
| Type of installation                      | Recessed-mounted                             |
| System type                               | Decentralised                                |
| Material                                  | Synthetic material                           |
| Colour                                    | Traffic white, similar to RAL 9016           |
| Weight                                    | 1,49 kg                                      |
| Weight including packaging                | 1,77 kg                                      |
| Filter class                              | ISO Coarse 30 % (G2)                         |
| Air outlet direction                      | at side                                      |
| Width                                     | 250 mm                                       |
| Height                                    | 250 mm                                       |
| Depth                                     | 150 mm                                       |
| Width with packaging                      | 280 mm                                       |
| Height with packaging                     | 280 mm                                       |
| Depth with packaging                      | 155 mm                                       |
| Airstream temperature at I <sub>Max</sub> | 40 °C  |

# ER 100 G

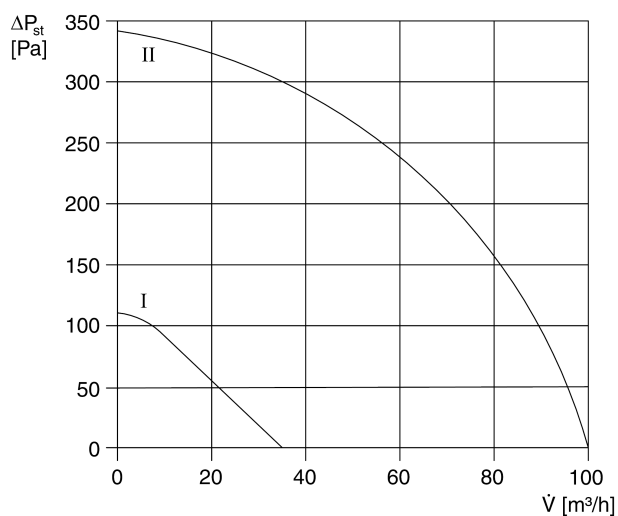
|                      |  |
|----------------------|--|
| Sound pressure level | 26 dB(A) / 45 dB(A) (Specifications in accordance with DIN 18017-3 at an equivalent absorption area $A_L = 10 \text{ m}^2$ ) |
| Packing unit         | 1 piece  |
| Range                | B  |
| GTIN (EAN)           | 4012799841333  |

## Sound power level in octave range

|                                    | 63 Hz | 125 Hz | 250 Hz | 500 Hz | 1 kHz | 2 kHz | 4 kHz | 8 kHz | Total |
|------------------------------------|-------|--------|--------|--------|-------|-------|-------|-------|-------|
| $L_{WA7, \text{ low}}$<br>(dB(A))  | -     | -      | -      | -      | -     | -     | -     | -     | 30    |
| $L_{WA7, \text{ high}}$<br>(dB(A)) | -     | -      | -      | -      | -     | -     | -     | -     | 49    |

$L_{WA7}$ = housing and free inlet sound power level in dB.

## Characteristic curve



# ER 100 G

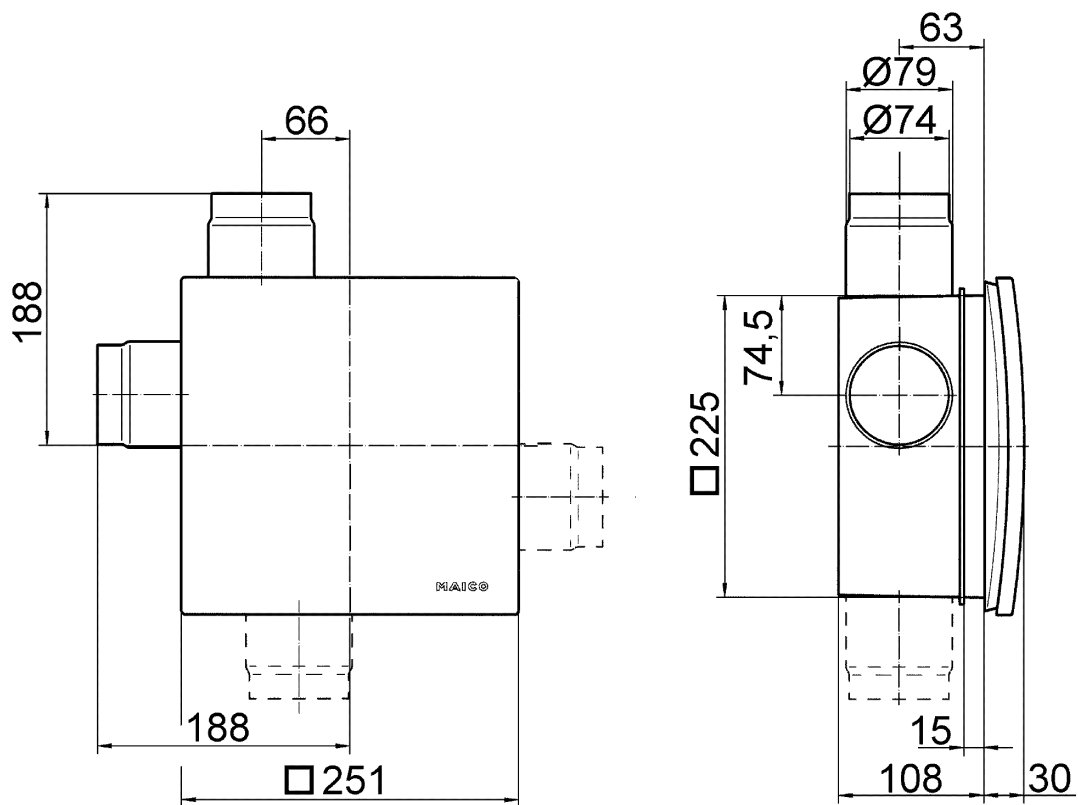
Dimensioned drawing [mm]



ER fan insert with recessed-mounted housing ER-UP/G or ER-UPD

# ER 100 G

Dimensioned drawing [mm]



ER fan insert with recessed-mounted housing ER-UP/G or ER-UPD and second room connection