

ER 100 I



Short description

Fan insert with cover and filter for installation in recessed-mounted housings, air volume 101 m³/h, with interval control and time delay switch (start delay 50 seconds, overrun time 10 minutes, interval 1 to 15 hours)

Application examples

Bathroom, Kitchen, Multiple family unit, Day room, Dining room

Article number 0084.0135

Technical data

| | |
|---|------------------------------------|
| Model | Interval control |
| Air flow volume | 101 m ³ /h |
| Rotating speed | 1.900 1/min |
| Air direction | Air extraction |
| Speed controllable | – |
| SEC average | -6,5 kWh/(m ² *a) |
| Type of voltage | Alternating current |
| Rated voltage | 230 V |
| Frequency | 50 Hz |
| Power consumption | 29,5 W |
| I _{max} | 0,14 A |
| Degree of protection | IP X5 |
| Mains cable | 5 x 1,5 mm ² |
| Installation site | Wall / Ceiling |
| Type of installation | Recessed-mounted |
| System type | Decentralised |
| Material | Synthetic material |
| Colour | Traffic white, similar to RAL 9016 |
| Weight | 1,47 kg |
| Weight including packaging | 1,75 kg |
| Filter class | ISO Coarse 30 % (G2) |
| Air outlet direction | at side |
| Width | 250 mm |
| Height | 250 mm |
| Depth | 150 mm |
| Width with packaging | 280 mm |
| Height with packaging | 280 mm |
| Depth with packaging | 155 mm |
| Airstream temperature at I _{Max} | 40 °C |

ER 100 I

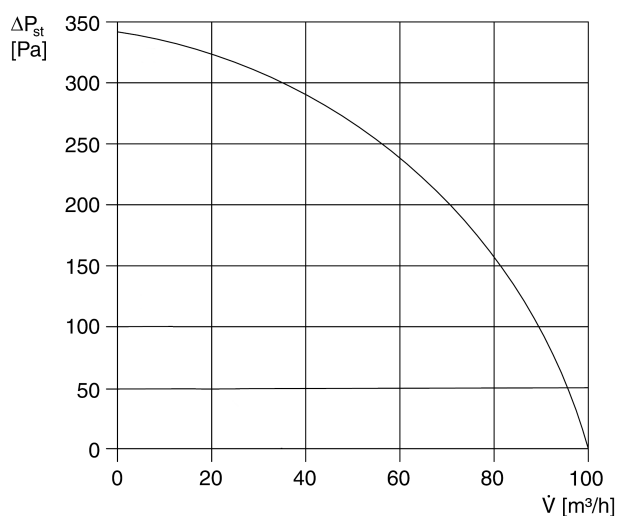
| | |
|----------------------|---|
| Overrun time | 10 min (Overrun time available when using an optional switch (e.g. light switch)) |
| Start delay | 50 s (Start delay available when using an optional switch (e.g. light switch)) |
| Sound pressure level | 45 dB(A) (Specifications in accordance with DIN 18017-3 at an equivalent absorption area $A_L = 10 \text{ m}^2$) |
| Packing unit | 1 piece |
| Range | B |
| GTIN (EAN) | 4012799841357 |

Sound power level in octave range

| | 63 Hz | 125 Hz | 250 Hz | 500 Hz | 1 kHz | 2 kHz | 4 kHz | 8 kHz | Total |
|--|-------|--------|--------|--------|-------|-------|-------|-------|-------|
| L_{WA7, high} (dB(A)) | – | – | – | – | – | – | – | – | 49 |

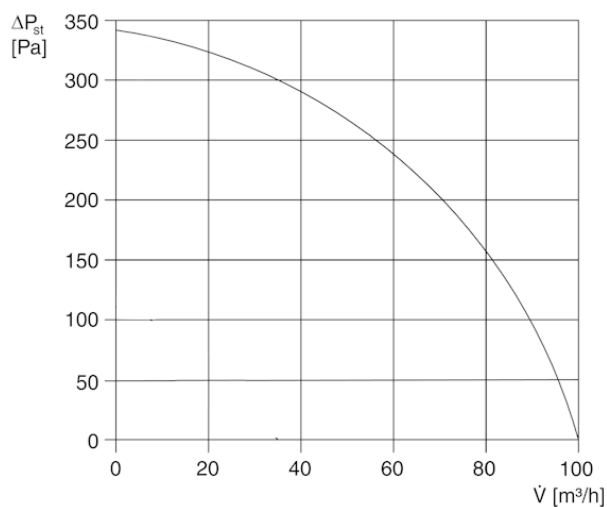
L_{WA7}= housing and free inlet sound power level in dB.

Characteristic curve

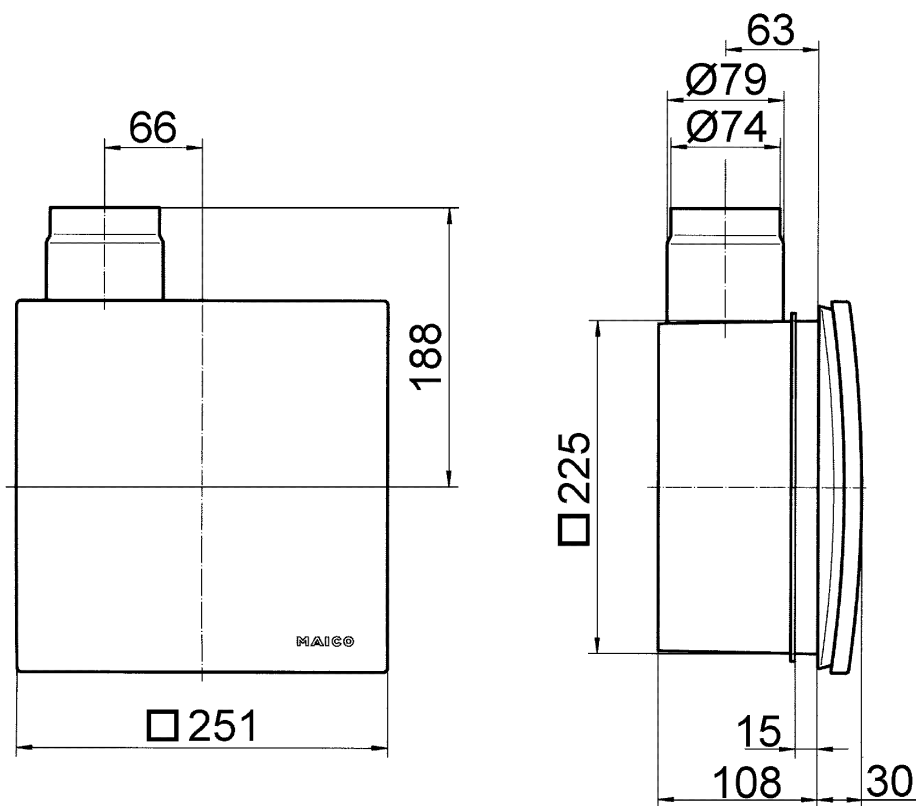


ER 100 I

Characteristic curve



Dimensioned drawing [mm]



ER fan insert with recessed-mounted housing ER-UP/G or ER-UPD

ER 100 I

Dimensioned drawing [mm]



ER fan insert with recessed-mounted housing ER-UP/G or ER-UPD and second room connection