

# ER 100 VZ 15



## Short description

Fan insert with cover and filter for installation in recessed-mounted housings, air volume 101 m<sup>3</sup>/h, with time delay switch with 15 minute overrun time.

## Application examples

Bathroom, Kitchen, Multiple family unit, Day room, Dining room

Article number 0084.0140

## Technical data

|   |   |
|---|---|
| Model                                     | Time delay switch, 15 minute overrun time |
| Air flow volume                           | 101 m <sup>3</sup> /h                     |
| Rotating speed                            | 1.900 1/min                               |
| Air direction                             | Air extraction                            |
| Speed controllable                        | –   |
| SEC average                               | -6,5 kWh/(m <sup>2</sup> *a)              |
| Type of voltage                           | Alternating current                       |
| Rated voltage                             | 230 V                                     |
| Frequency                                 | 50 Hz                                     |
| Power consumption                         | 29,5 W                                    |
| I <sub>max</sub>                          | 0,14 A                                    |
| Degree of protection                      | IP X5                                     |
| Mains cable                               | 5 x 1,5 mm <sup>2</sup>                   |
| Installation site                         | Wall / Ceiling                            |
| Type of installation                      | Recessed-mounted                          |
| System type                               | Decentralised                             |
| Material                                  | Synthetic material                        |
| Colour                                    | Traffic white, similar to RAL 9016        |
| Weight                                    | 1,47 kg                                   |
| Weight including packaging                | 1,75 kg                                   |
| Filter class                              | ISO Coarse 30 % (G2)                      |
| Air outlet direction                      | at side                                   |
| Width                                     | 250 mm                                    |
| Height                                    | 250 mm                                    |
| Depth                                     | 150 mm                                    |
| Width with packaging                      | 280 mm                                    |
| Height with packaging                     | 280 mm                                    |
| Depth with packaging                      | 155 mm                                    |
| Airstream temperature at I <sub>Max</sub> | 40 °C                                     |

# ER 100 VZ 15

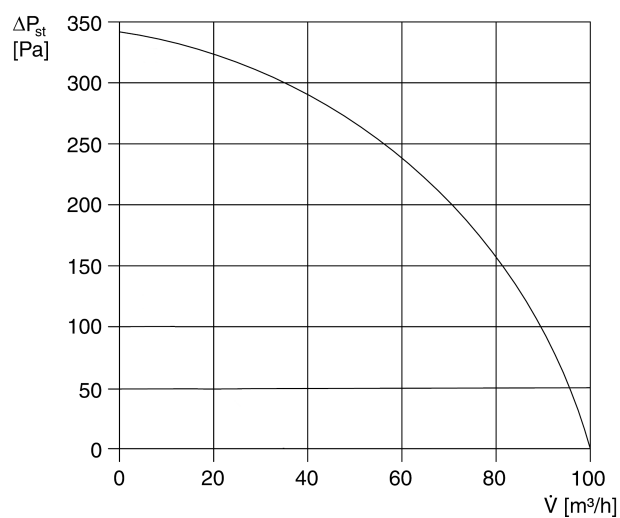
|                      |   |
|----------------------|---|
| Overrun time         | 15 min  |
| Start delay          | 50 s  |
| Sound pressure level | 45 dB(A) (Specifications in accordance with DIN 18017-3 at an equivalent absorption area $A_L = 10 \text{ m}^2$ ) |
| Packing unit         | 1 piece   |
| Range                | B   |
| GTIN (EAN)           | 4012799841401   |

## Sound power level in octave range

|  | 63 Hz | 125 Hz | 250 Hz | 500 Hz | 1 kHz | 2 kHz | 4 kHz | 8 kHz | Total |
|--|-------|--------|--------|--------|-------|-------|-------|-------|-------|
| <b><math>L_{WA7, \text{high}}</math><br/>(dB(A))</b> | -     | -      | -      | -      | -     | -     | -     | -     | 49    |

$L_{WA7}$ = housing and free inlet sound power level in dB.

## Characteristic curve



# ER 100 VZ 15

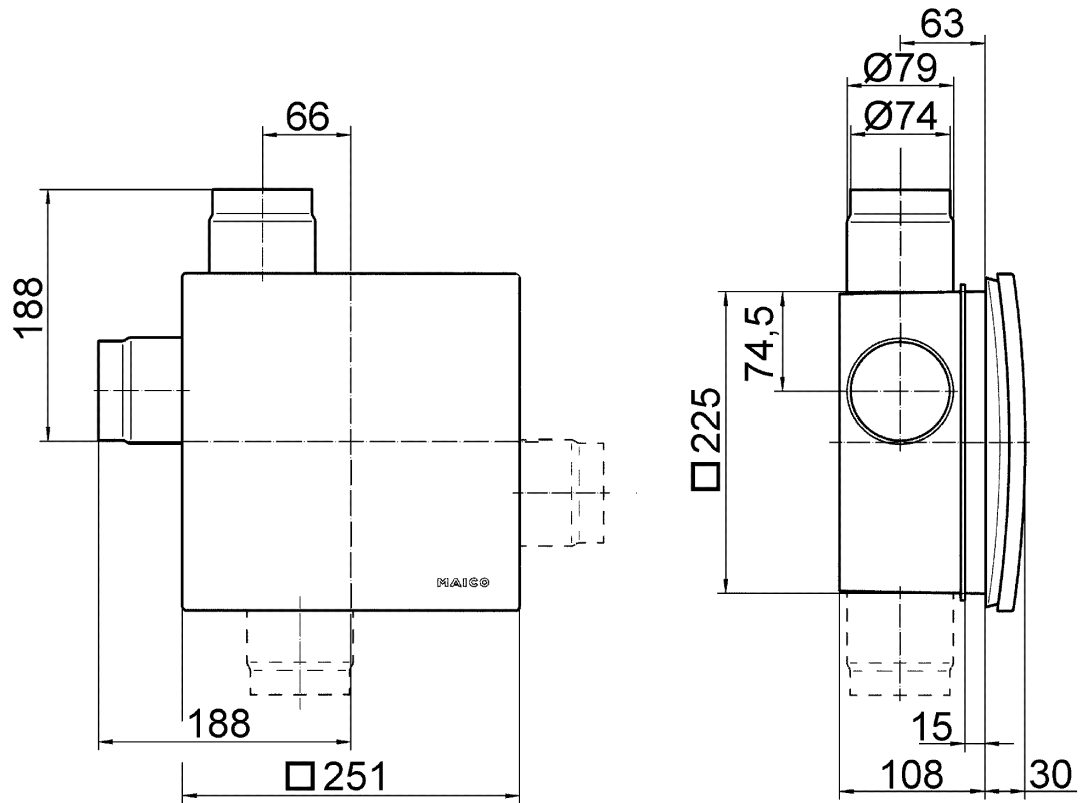
Dimensioned drawing [mm]



ER fan insert with recessed-mounted housing ER-UP/G or ER-UPD

# ER 100 VZ 15

Dimensioned drawing [mm]



ER fan insert with recessed-mounted housing ER-UP/G or ER-UPD and second room connection