

# ER 60 E



## Short description

Fan insert with cover and filter for installation in ER-UP/GH recessed-mounted housing, air volume 61 m<sup>3</sup>/h

## Application examples

Bathroom, Kitchen, Multiple family unit, Day room, Dining room

Article number 0084.0371

## Technical data

|   |  |
|---|--|
| Model                                     | Standard model   |
| Air flow volume                           | 61 m <sup>3</sup> /h   |
| Rotating speed                            | 1.250 1/min  |
| Air direction                             | Air extraction   |
| Speed controllable                        | –  |
| Type of voltage                           | Alternating current  |
| Rated voltage                             | 230 V  |
| Frequency                                 | 50 Hz  |
| Power consumption                         | 21 W   |
| I <sub>max</sub>                          | 0,17 A   |
| Degree of protection                      | IP X5  |
| Mains cable                               | 3 x 1,5 mm <sup>2</sup>  |
| Installation site                         | Wall / Ceiling   |
| Type of installation                      | Recessed-mounted   |
| System type                               | Decentralised  |
| Material                                  | Synthetic material   |
| Colour                                    | Traffic white, similar to RAL 9016   |
| Filter class                              | ISO Coarse 30 % (G2)   |
| Air outlet direction                      | at rear  |
| Airstream temperature at I <sub>Max</sub> | 40 °C  |
| Sound pressure level                      | 40 dB(A) (Specifications in accordance with DIN 18017-3 at an equivalent absorption area A <sub>L</sub> = 10 m. <sup>2</sup> ) |
| Packing unit                              | 1 piece  |
| GTIN (EAN)                                | 4012799843719  |

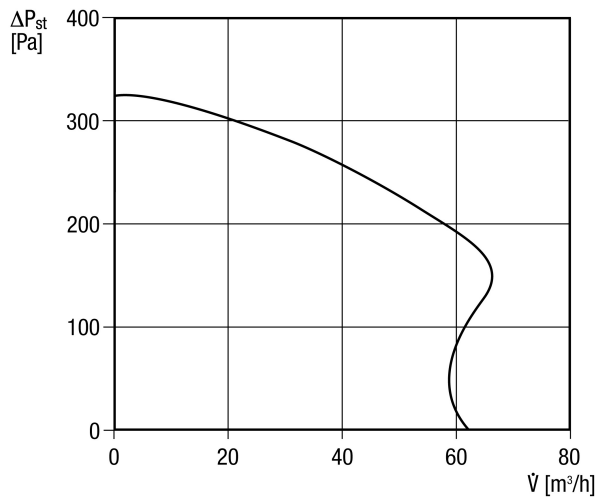
# ER 60 E

## Sound power level in octave range

|  | 63 Hz | 125 Hz | 250 Hz | 500 Hz | 1 kHz | 2 kHz | 4 kHz | 8 kHz | Total |
|--|-------|--------|--------|--------|-------|-------|-------|-------|-------|
| <b>L<sub>WA7, high</sub></b><br><b>(dB(A))</b> | -     | -      | -      | -      | -     | -     | -     | -     | 43    |

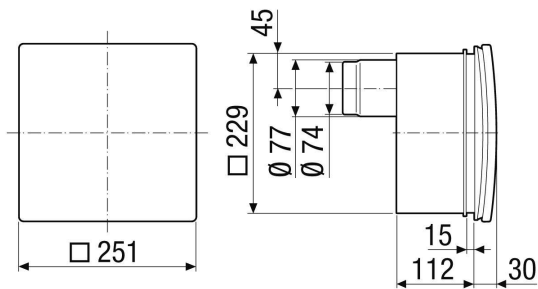
L<sub>WA7</sub>= housing and free inlet sound power level in dB.

## Characteristic curve



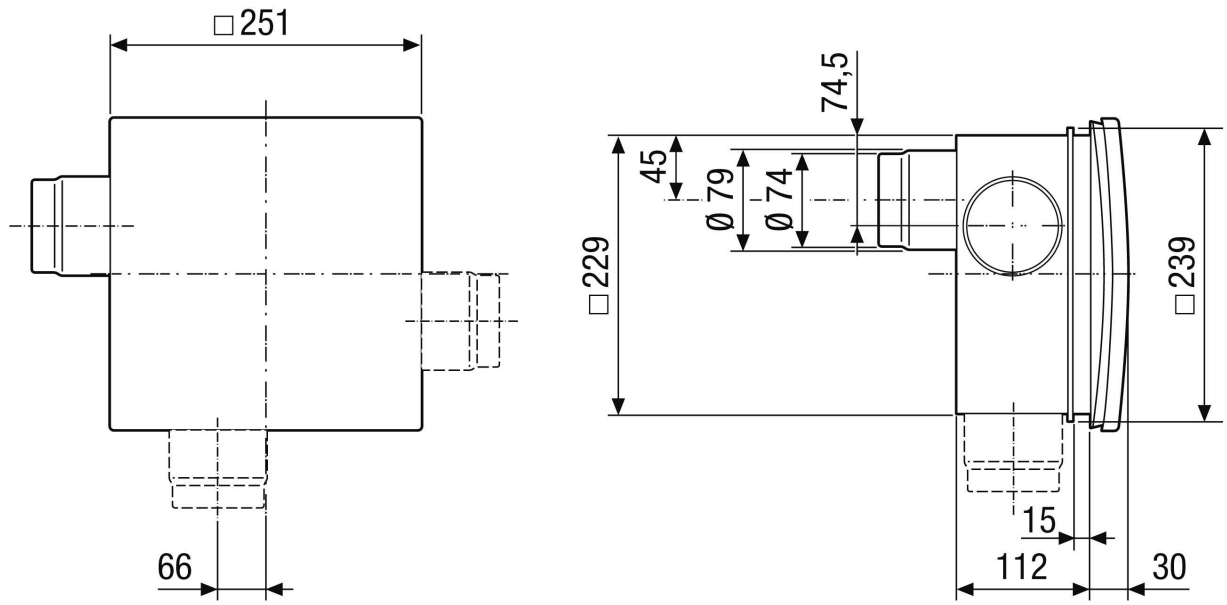
## Dimensioned drawing [mm]

Fan insert ER ... E with ER-UP/GH recess-mounted housing



# ER 60 E

Dimensioned drawing [mm]



Fan insert ER ... E with ER-UP/GH recess-mounted housing and second room connection