

# ER 60 GVZC EC



## Short description

Fan insert with EC motor, cover and filter for installation in recessed-mounted housings, air volume 62 m<sup>3</sup>/h, with base load circuit and time delay switch

Article number 0084.0116

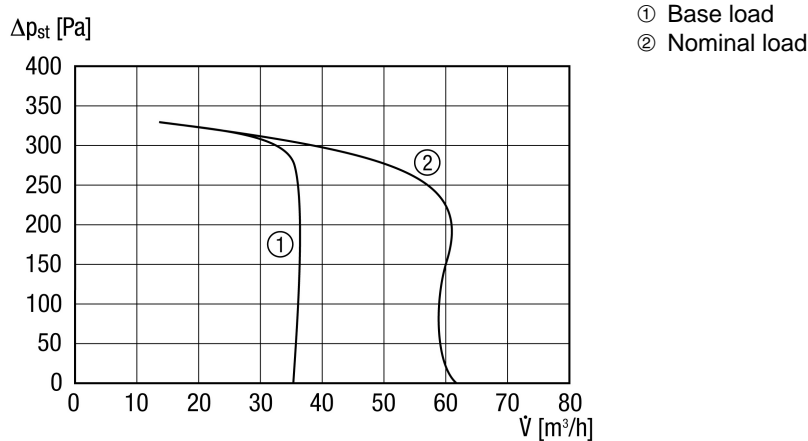
## Technical data

Model	EC model with base load and time delay switching.
Air flow volume	35 m <sup>3</sup> /h / 62 m <sup>3</sup> /h
Rotating speed	850 1/min / 1.250 1/min
Speed controllable	–
SEC average	-12,77 kWh/(m <sup>2</sup> *a)
Type of voltage	Alternating current
Rated voltage	230 V
Frequency	50 Hz
Power consumption	3,9 W / 6 W
I <sub>max</sub>	0,03 A / 0,05 A
Degree of protection	IP X5
Mains cable	5 x 1,5 mm <sup>2</sup>
Type of installation	Recessed-mounted
System type	Decentralised
Material	Synthetic material
Colour	Traffic white, similar to RAL 9016
Weight	1,7 kg
Weight including packaging	1,506 kg
Filter class	ISO Coarse 30 % (G2)
Air outlet direction	at side
Width	280 mm
Height	280 mm
Depth	160 mm
Width with packaging	250 mm
Height with packaging	135 mm
Depth with packaging	250 mm
Airstream temperature at I <sub>Max</sub>	40 °C
Overrun time	0 min / 1 min / 3 min / 6 min / 15 min
Start delay	0 min / 0,5 min / 1 min / 2 min / 3 min

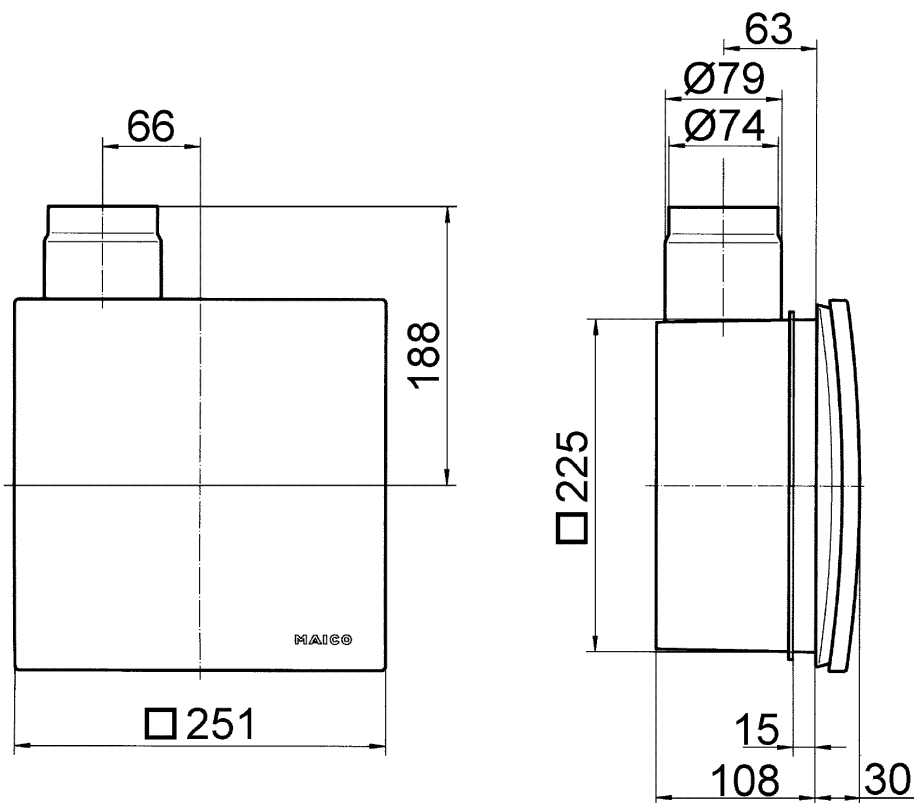
# ER 60 GVZC EC

Packing unit	1 piece
Range	B
GTIN (EAN)	4012799841166

## Characteristic curve



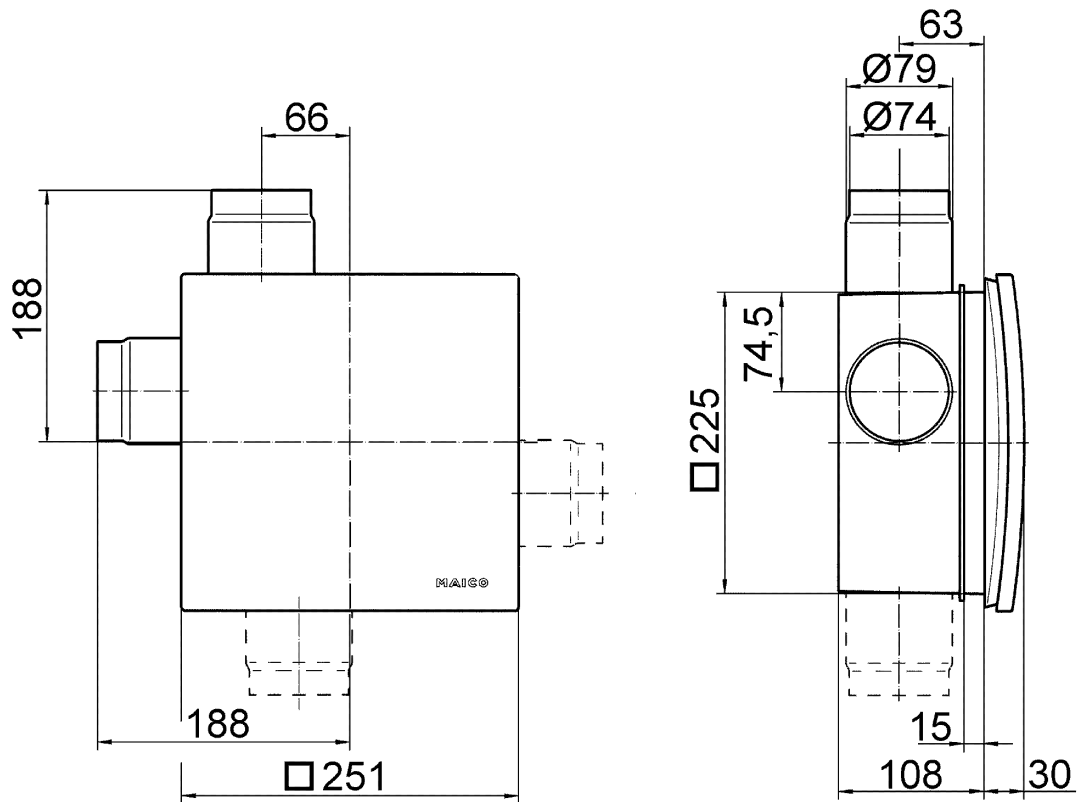
## Dimensioned drawing [mm]



# ER 60 GVZC EC

ER fan insert with recessed-mounted housing ER-UP/G or ER-UPD

## Dimensioned drawing [mm]



ER fan insert with recessed-mounted housing ER-UP/G or ER-UPD and second room connection