

# ER 60 H



## Short description

Fan insert with cover and filter for installation in recessed-mounted housings, air volume 62 m<sup>3</sup>/h, with humidity control and base load circuit

## Application examples

Bathroom, Kitchen, Multiple family unit, Day room, Dining room

Article number 0084.0104

## Technical data

Model	Humidity control
Air flow volume	35 m <sup>3</sup> /h / 62 m <sup>3</sup> /h
Rotating speed	850 1/min / 1.250 1/min
Air direction	Air extraction
Speed controllable	–
SEC average	-20,12 kWh/(m <sup>2</sup> *a)
Type of voltage	Alternating current
Rated voltage	230 V
Frequency	50 Hz
Power consumption	10 W / 21 W
I <sub>max</sub>	0,12 A / 0,16 A
Degree of protection	IP X5
Mains cable	3/5 x 1.5 mm <sup>2</sup>
Installation site	Wall / Ceiling
Type of installation	Recessed-mounted
System type	Decentralised
Material	Synthetic material
Colour	Traffic white, similar to RAL 9016
Weight	1,52 kg
Weight including packaging	1,8 kg
Filter class	ISO Coarse 30 % (G2)
Air outlet direction	at side
Width	250 mm
Height	250 mm
Depth	150 mm
Width with packaging	280 mm
Height with packaging	280 mm
Depth with packaging	155 mm
Airstream temperature at I <sub>Max</sub>	40 °C

# ER 60 H

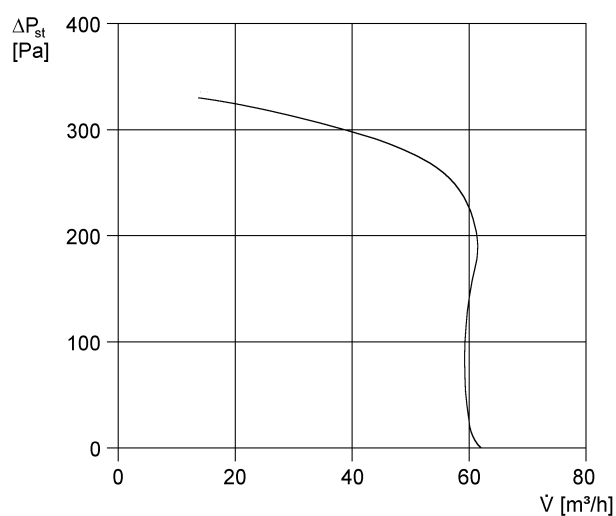
Overrun time	6 min (Overrun time available when using an optional switch (e.g. light switch))
Sound pressure level	25 dB(A) / 36 dB(A) (Specifications in accordance with DIN 18017-3 at an equivalent absorption area $A_L = 10 \text{ m}^2$ )
Packing unit	1 piece
Range	B
GTIN (EAN)	4012799841043

## Sound power level in octave range

	63 Hz	125 Hz	250 Hz	500 Hz	1 kHz	2 kHz	4 kHz	8 kHz	Total
<b>L<sub>WA7, low</sub> (dB(A))</b>	-	-	-	-	-	-	-	-	29
<b>L<sub>WA7, high</sub> (dB(A))</b>	-	-	-	-	-	-	-	-	40

L<sub>WA7</sub>= housing and free inlet sound power level in dB.

## Characteristic curve



# ER 60 H

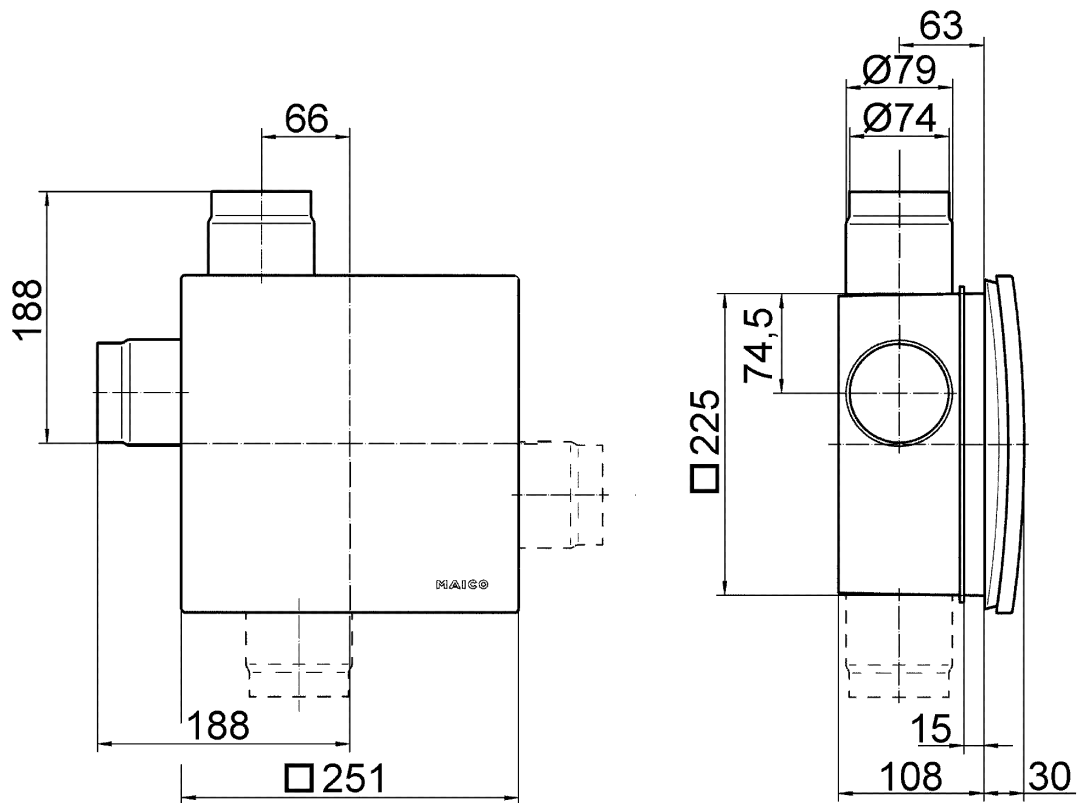
Dimensioned drawing [mm]



ER fan insert with recessed-mounted housing ER-UP/G or ER-UPD

# ER 60 H

Dimensioned drawing [mm]



ER fan insert with recessed-mounted housing ER-UP/G or ER-UPD and second room connection