

ER GH



Short description

Recessed-mounted housing with convertible plastic socket to hold the ER EC fan insert, second connection possible for toilet seat ventilation

Application examples

Bathroom, Kitchen, Multiple family unit, Day room, Dining room

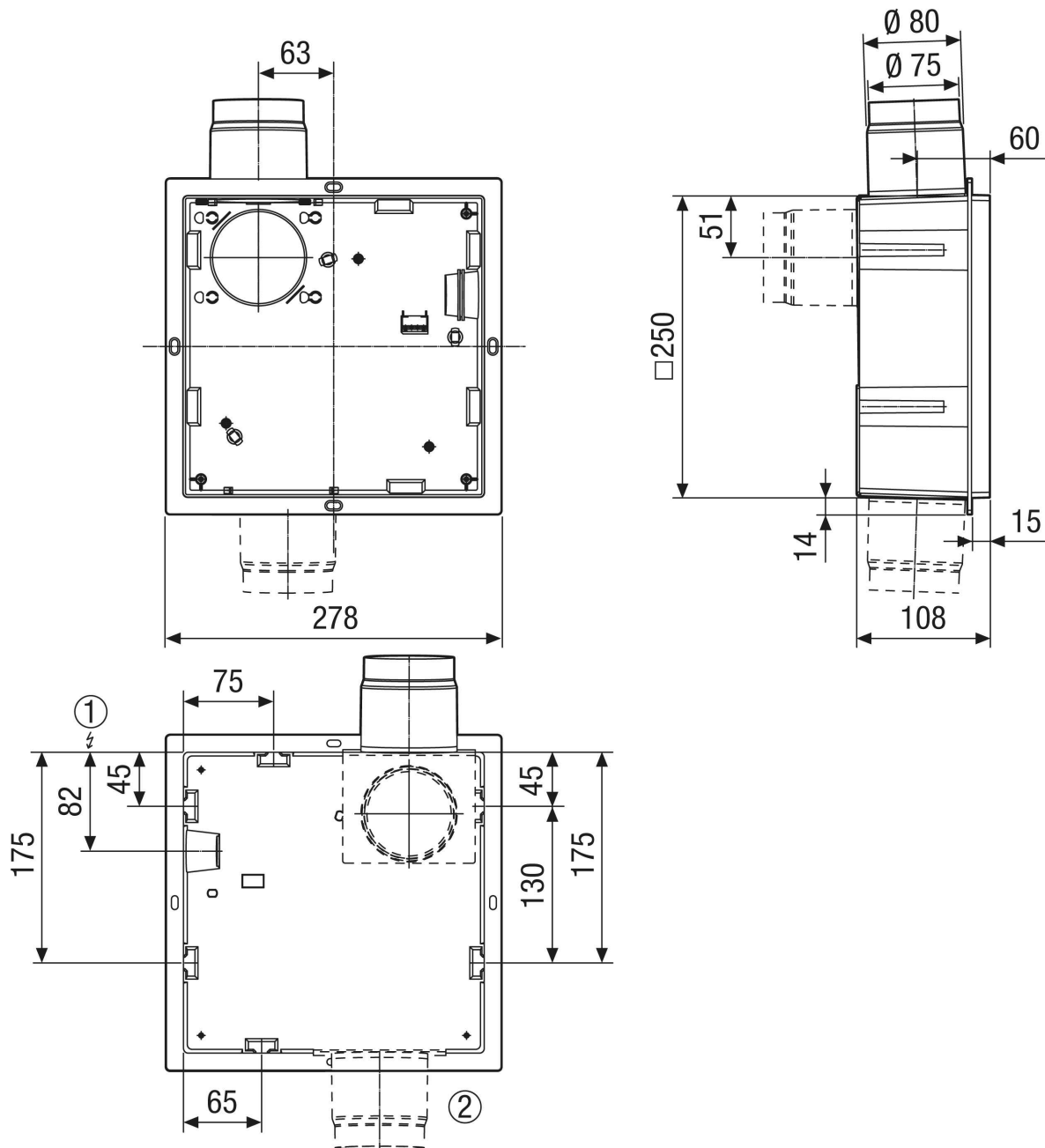
Article number 0084.0350

Technical data

Model	Plastic exhaust socket, convertible at side/rear, with airstream-operated plastic backflow preventer, without fire protection housing, second room connection possible on right/left/at bottom
Air direction	Air extraction
Installation site	Wall / Ceiling
Type of installation	Recessed-mounted
Housing material	Synthetic material
Colour	Black
Weight	0,59 kg
Weight including packaging	0,89 kg
Fire protection	No
Air outlet direction	at side / at rear
Connection diameter	75 mm / 80 mm
Width	250 mm
Height	250 mm
Depth	110 mm
Width with packaging	350 mm
Height with packaging	290 mm
Depth with packaging	130 mm
Approval number	Z-51.1-478
Packing unit	1 piece
Range	B
GTIN (EAN)	4012799843504

ER GH

Dimensioned drawing [mm]



- ① Electrical connection
- ② WC connection socket