

# ESQ 25/4



## Short description

Sound-insulated radial fan for indoor fitting, alternating current, DN 250

## Application examples

Workplace, Workplace air extraction system, Storage facility, Workshop, Day room

Article number 0080.0027

## Technical data

Air flow volume	1.200 m <sup>3</sup> /h
Speed controllable	✓
Type of voltage	Alternating current
Rated voltage	230 V
Frequency	50 Hz
Nominal output	90 W
P <sub>Max</sub>	90 W
I <sub>nom</sub>	0,9 A
I <sub>max</sub>	0,9 A
Degree of protection	IP 55
Insulation class	F
Mains cable	3 x 1,5 mm <sup>2</sup>
Housing material	Sheet steel, galvanised
Weight	28 kg
Weight including packaging	28,17 kg
Swivelling fan	–
Nominal size	250 mm
Width with packaging	602 mm
Height with packaging	512 mm
Depth with packaging	512 mm
Airstream temperature at nominal current	-20 °C up to 50 °C
Airstream temperature at I <sub>Max</sub>	-20 °C up to 50 °C
Sound pressure level	36 dB(A) (Distance 3 m, Free-field conditions)
Packing unit	1 piece
Range	C
GTIN (EAN)	4012799800279

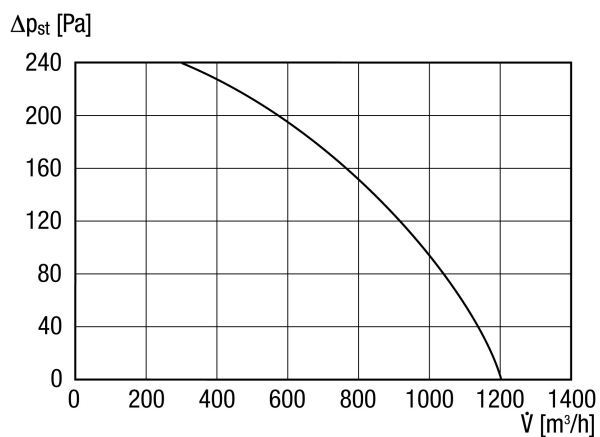
# ESQ 25/4

## Sound power level in octave range

	63 Hz	125 Hz	250 Hz	500 Hz	1 kHz	2 kHz	4 kHz	8 kHz	Total
<b>L<sub>WA2</sub>, high (dB(A))</b>	–	46	43	38	38	33	35	28	49
<b>L<sub>WA5</sub>, high (dB(A))</b>	–	53	53	55	56	53	52	44	62
<b>L<sub>WA6</sub>, high (dB(A))</b>	–	49	54	60	58	56	60	48	65

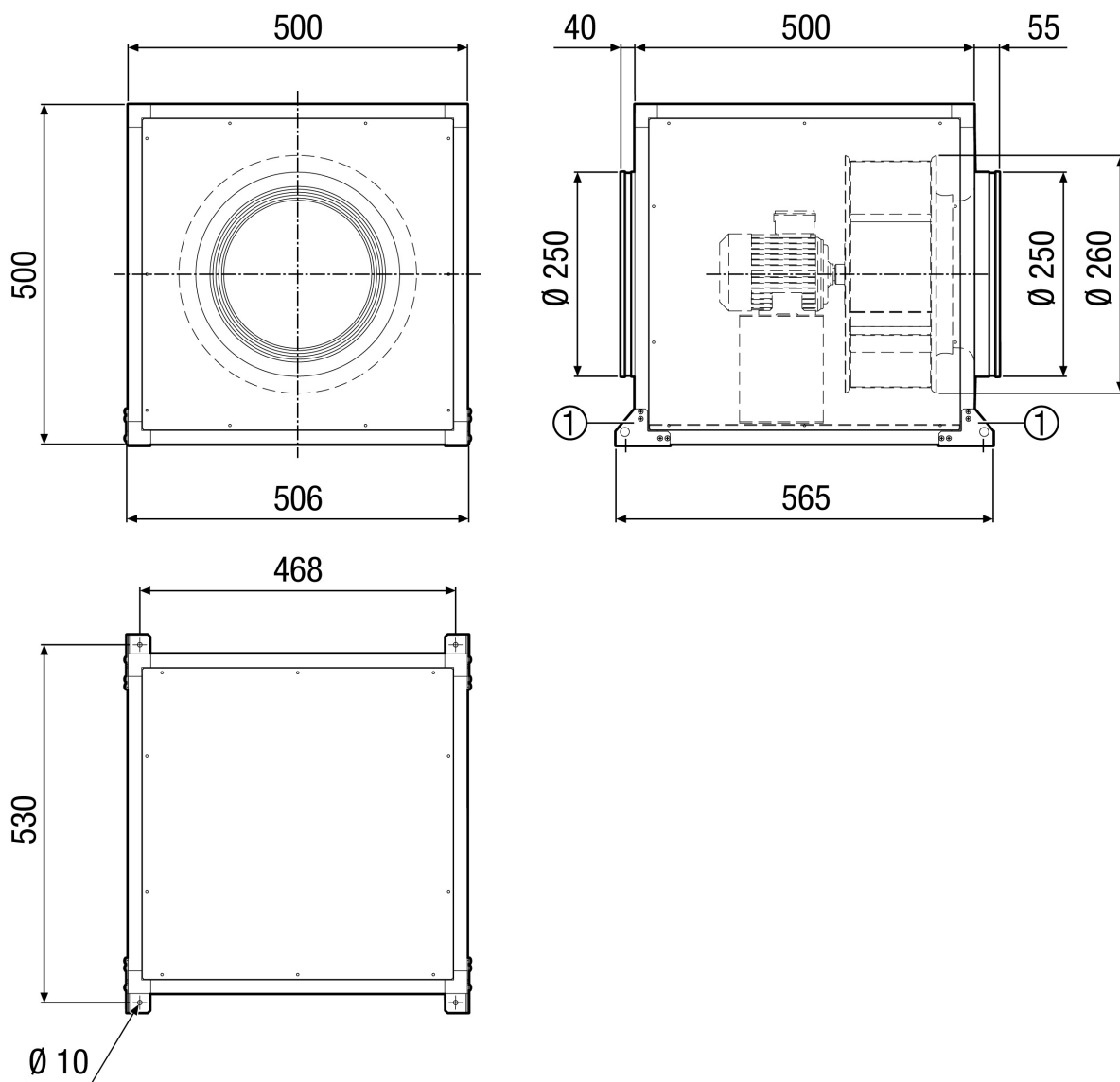
L<sub>WA2</sub>= housing sound power level in dB.  
 L<sub>WA5</sub>= free inlet sound power level in dB.  
 L<sub>WA6</sub>= free outlet sound power level in dB.

## Characteristic curve



# ESQ 25/4

Dimensioned drawing [mm]



① Mounting bracket included in the scope of delivery