

ESQ 31/4



Short description

Sound-insulated radial fan for indoor fitting, alternating current, DN 315

Application examples

Workplace, Workplace air extraction system, Storage facility, Workshop, Day room

Article number 0080.0028

Technical data

| | |
|---|--|
| Air flow volume | 2.000 m ³ /h |
| Speed controllable | ✓ |
| Type of voltage | Alternating current |
| Rated voltage | 230 V |
| Frequency | 50 Hz |
| Nominal output | 120 W |
| P _{Max} | 120 W |
| I _{nom} | 1,2 A |
| I _{max} | 1,2 A |
| Degree of protection | IP 55 |
| Insulation class | F |
| Mains cable | 3 x 1,5 mm ² |
| Housing material | Sheet steel, galvanised |
| Weight | 29,4 kg |
| Weight including packaging | 31,5 kg |
| Swivelling fan | – |
| Nominal size | 315 mm |
| Width | 506 mm |
| Height | 500 mm |
| Depth | 565 mm |
| Width with packaging | 610 mm |
| Height with packaging | 590 mm |
| Depth with packaging | 610 mm |
| Airstream temperature at nominal current | -20 °C up to 50 °C |
| Airstream temperature at I _{Max} | -20 °C up to 50 °C |
| Sound pressure level | 43 dB(A) (Distance 3 m, Free-field conditions) |
| Packing unit | 1 piece |
| Range | C |
| GTIN (EAN) | 4012799800286 |

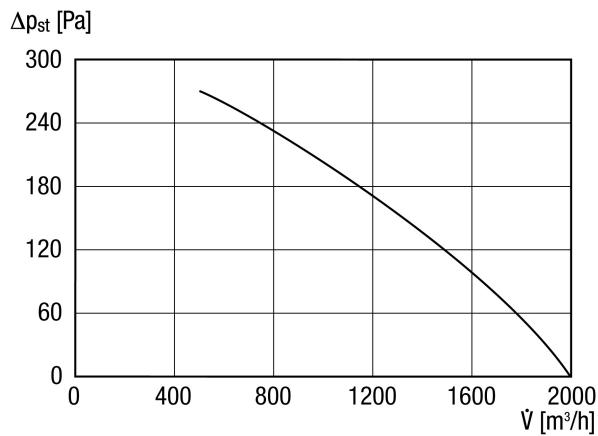
ESQ 31/4

Sound power level in octave range

| | 63 Hz | 125 Hz | 250 Hz | 500 Hz | 1 kHz | 2 kHz | 4 kHz | 8 kHz | Total |
|--------------------------------------|-------|--------|--------|--------|-------|-------|-------|-------|-------|
| L_{WA2}, high (dB(A)) | – | 55 | 49 | 45 | 44 | 37 | 34 | 30 | 53 |
| L_{WA5}, high (dB(A)) | – | 61 | 59 | 61 | 60 | 57 | 51 | 45 | 67 |
| L_{WA6}, high (dB(A)) | – | 55 | 63 | 66 | 60 | 57 | 54 | 43 | 69 |

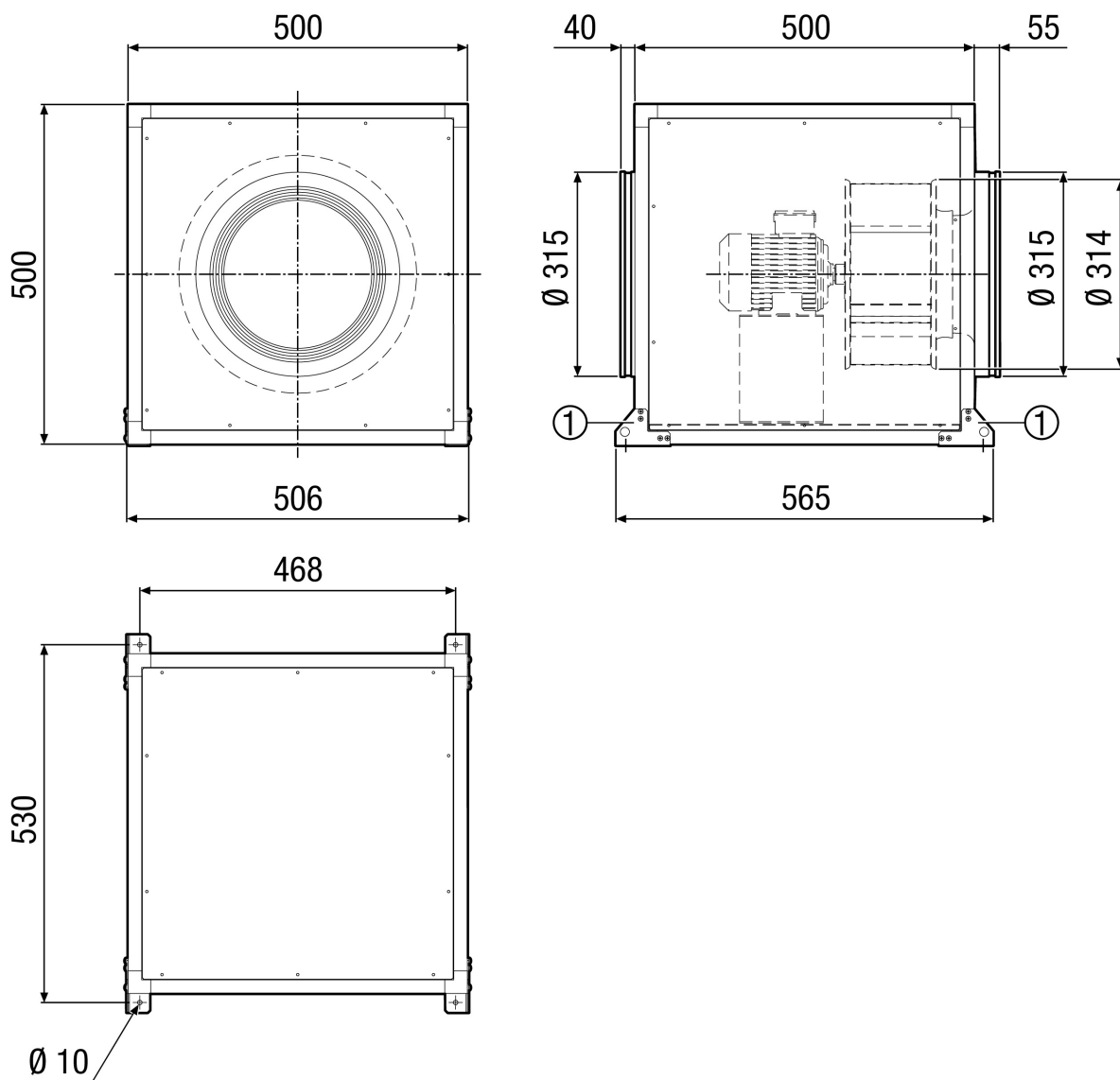
L_{WA2}= housing sound power level in dB.
 L_{WA5}= free inlet sound power level in dB.
 L_{WA6}= free outlet sound power level in dB.

Characteristic curve



ESQ 31/4

Dimensioned drawing [mm]



① Mounting bracket included in the scope of delivery