

ESQ 35/4



Short description

Sound-insulated radial fan for indoor fitting, alternating current, DN 355

Application examples

Workplace, Workplace air extraction system, Storage facility, Workshop, Day room

Article number 0080.0029

Technical data

Air flow volume	2.800 m ³ /h
Speed controllable	✓
Type of voltage	Alternating current
Rated voltage	230 V
Frequency	50 Hz
Nominal output	250 W
P _{Max}	250 W
I _{nom}	2,35 A
I _{max}	2,4 A
Degree of protection	IP 55
Insulation class	F
Mains cable	3 x 1,5 mm ²
Housing material	Sheet steel, galvanised
Weight	47 kg
Weight including packaging	47,565 kg
Swivelling fan	–
Nominal size	355 mm
Width with packaging	732 mm
Height with packaging	647 mm
Depth with packaging	647 mm
Airstream temperature at nominal current	-20 °C up to 50 °C
Airstream temperature at I _{Max}	-20 °C up to 50 °C
Sound pressure level	43 dB(A) (Distance 3 m, Free-field conditions)
Packing unit	1 piece
Range	C
GTIN (EAN)	4012799800293

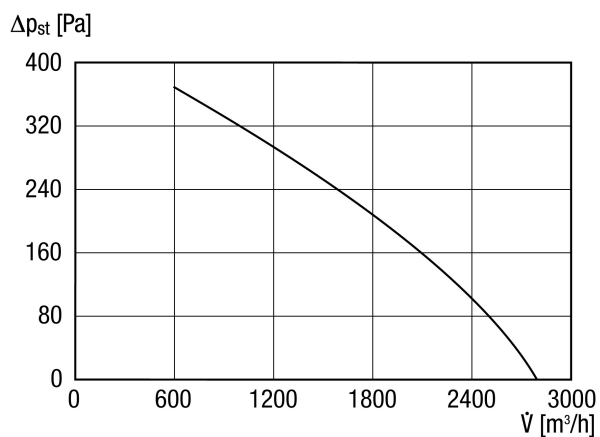
ESQ 35/4

Sound power level in octave range

	63 Hz	125 Hz	250 Hz	500 Hz	1 kHz	2 kHz	4 kHz	8 kHz	Total
L_{WA2}, high (dB(A))	–	51	53	45	44	38	39	35	57
L_{WA5}, high (dB(A))	–	59	65	63	63	60	58	53	70
L_{WA6}, high (dB(A))	–	59	69	71	63	63	66	63	75

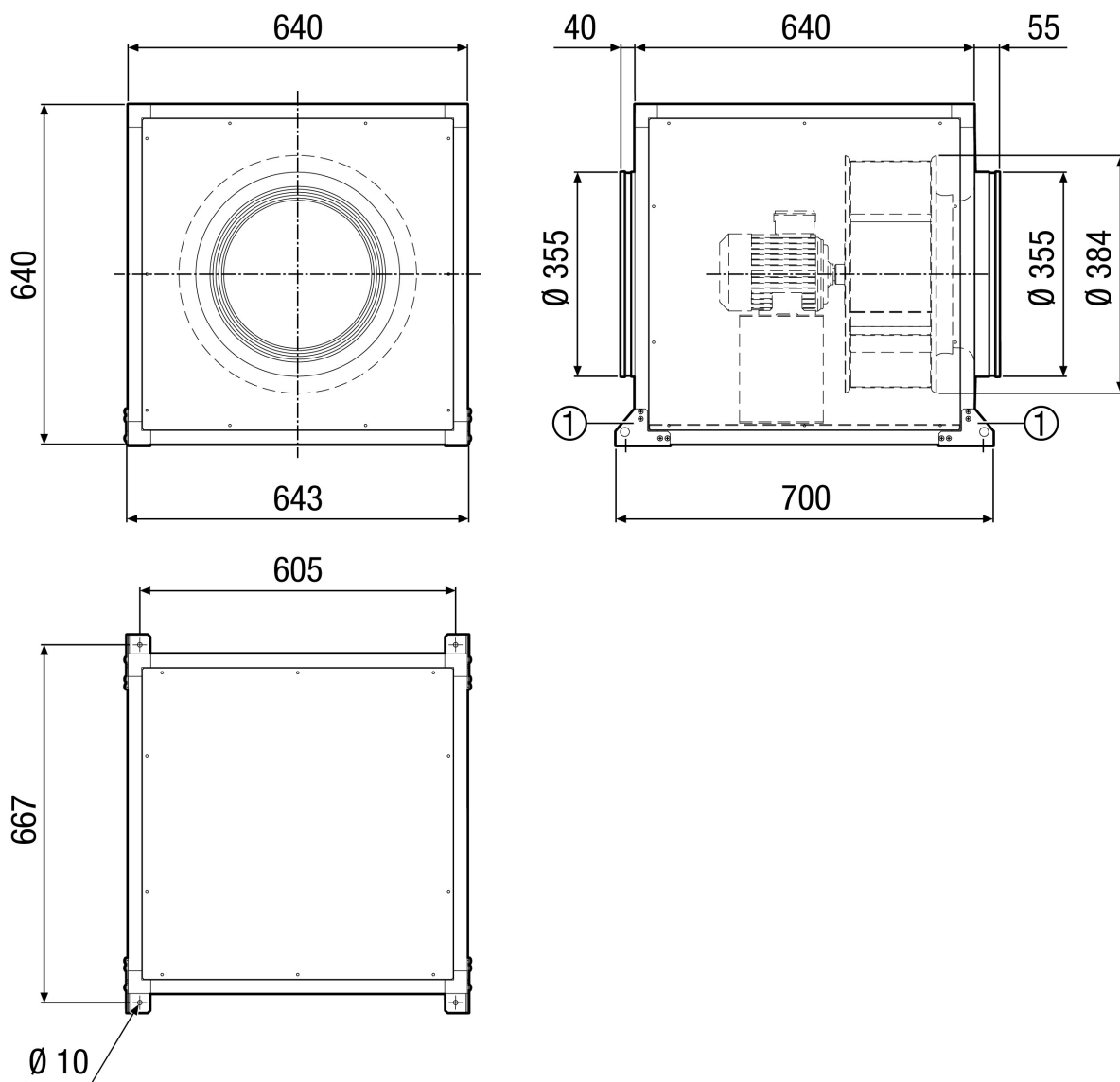
L_{WA2}= housing sound power level in dB.
 L_{WA5}= free inlet sound power level in dB.
 L_{WA6}= free outlet sound power level in dB.

Characteristic curve



ESQ 35/4

Dimensioned drawing [mm]



① Mounting bracket included in the scope of delivery