

# ESQ 40/4



## Short description

Sound-insulated radial fan for indoor fitting, alternating current, DN 400

## Application examples

Workplace, Workplace air extraction system, Storage facility, Workshop, Day room

Article number 0080.0030

## Technical data

Air flow volume	4.500 m <sup>3</sup> /h
Speed controllable	✓
Type of voltage	Alternating current
Rated voltage	230 V
Frequency	50 Hz
Nominal output	550 W
P <sub>Max</sub>	550 W
I <sub>nom</sub>	4,75 A
I <sub>max</sub>	4,8 A
Degree of protection	IP 55
Insulation class	F
Mains cable	3 x 1,5 mm <sup>2</sup>
Installation position	vertical / horizontal
Housing material	Sheet steel, galvanised
Weight	52 kg
Weight including packaging	52,37 kg
Swivelling fan	–
Nominal size	400 mm
Width	643 mm
Height	640 mm
Depth	700 mm
Width with packaging	652 mm
Height with packaging	642 mm
Depth with packaging	742 mm
Airstream temperature at nominal current	-20 °C up to 50 °C
Airstream temperature at I <sub>Max</sub>	-20 °C up to 50 °C
Sound pressure level	49 dB(A) (Distance 3 m, Free-field conditions)
Packing unit	1 piece
Range	C

# ESQ 40/4

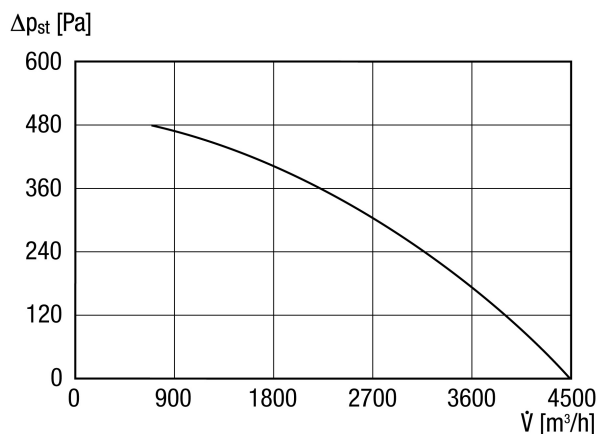
GTIN (EAN)	4012799800309
------------	---------------

## Sound power level in octave range

	63 Hz	125 Hz	250 Hz	500 Hz	1 kHz	2 kHz	4 kHz	8 kHz	Total
<b>L<sub>WA2, high</sub></b> <b>(dB(A))</b>	–	57	59	50	52	44	43	39	62
<b>L<sub>WA5, high</sub></b> <b>(dB(A))</b>	–	64	69	66	69	64	60	55	74
<b>L<sub>WA6, high</sub></b> <b>(dB(A))</b>	–	64	73	72	68	64	59	63	77

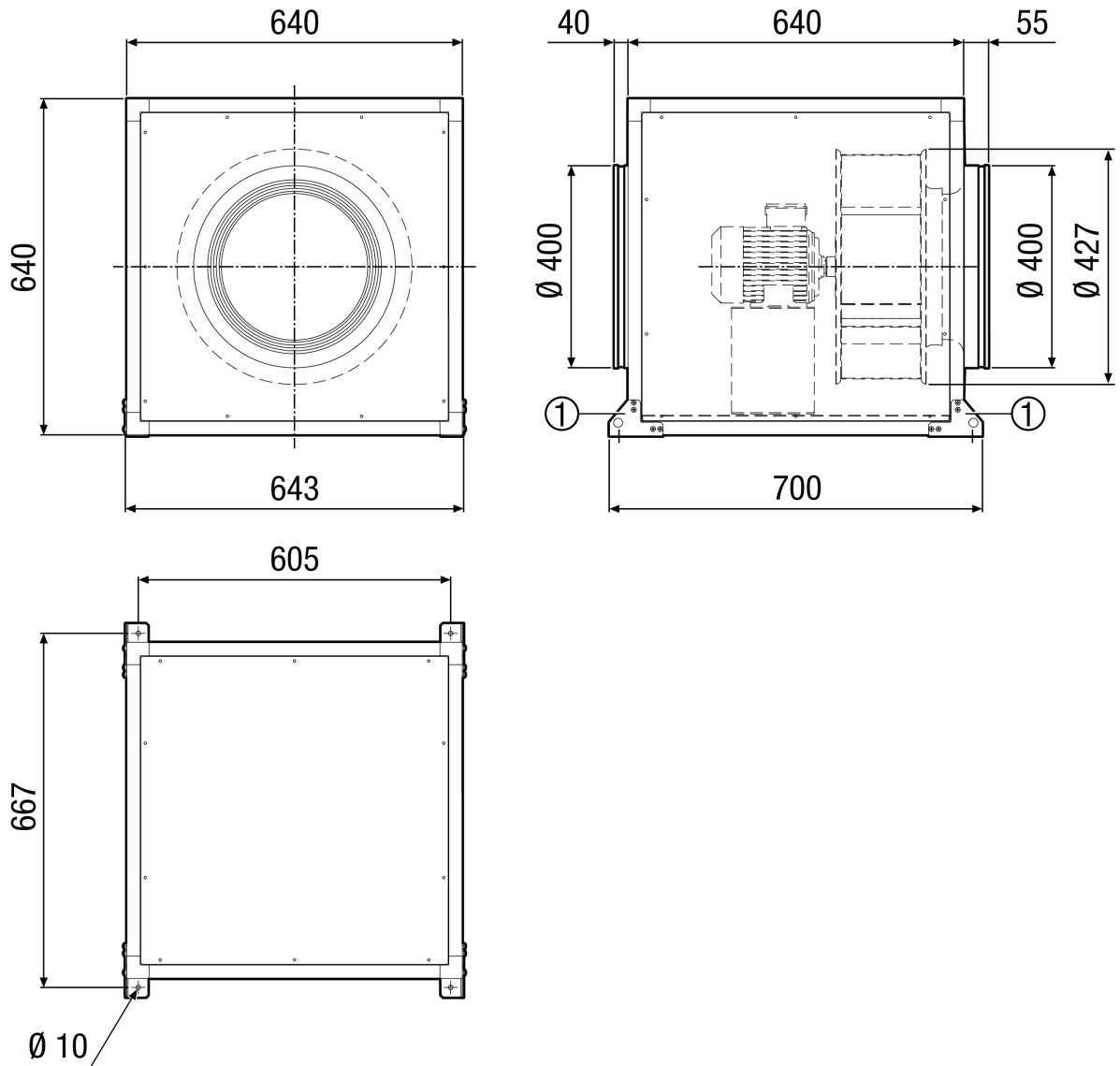
L<sub>WA2</sub>= housing sound power level in dB.  
 L<sub>WA5</sub>= free inlet sound power level in dB.  
 L<sub>WA6</sub>= free outlet sound power level in dB.

## Characteristic curve



# ESQ 40/4

Dimensioned drawing [mm]



① Mounting bracket included in the scope of delivery