

# ESQ 45/4



## Short description

Sound-insulated radial fan for indoor fitting, alternating current, DN 450

## Application examples

Workplace, Workplace air extraction system, Storage facility, Workshop, Day room

Article number 0080.0031

## Technical data

Air flow volume	5.000 m <sup>3</sup> /h
Speed controllable	✓
Type of voltage	Alternating current
Rated voltage	230 V
Frequency	50 Hz
Nominal output	750 W
P <sub>Max</sub>	750 W
I <sub>nom</sub>	5,6 A
I <sub>max</sub>	5,6 A
Degree of protection	IP 55
Insulation class	F
Mains cable	3 x 1,5 mm <sup>2</sup>
Housing material	Sheet steel, galvanised
Weight	73 kg
Weight including packaging	73 kg
Swivelling fan	–
Nominal size	450 mm
Width	756 mm
Height	750 mm
Depth	835 mm
Width with packaging	865 mm
Height with packaging	755 mm
Depth with packaging	755 mm
Airstream temperature at nominal current	-20 °C up to 50 °C
Airstream temperature at I <sub>Max</sub>	-20 °C up to 50 °C
Sound pressure level	50 dB(A) (Distance 3 m, Free-field conditions)
Packing unit	1 piece
Range	C
GTIN (EAN)	4012799800316

# ESQ 45/4

## Sound power level in octave range

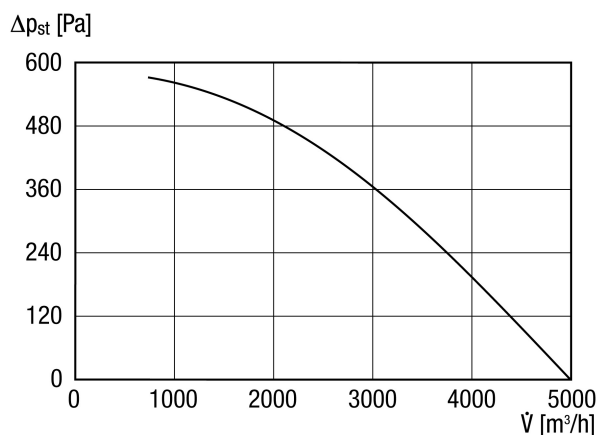
	63 Hz	125 Hz	250 Hz	500 Hz	1 kHz	2 kHz	4 kHz	8 kHz	Total
<b>L<sub>WA2</sub>, high (dB(A))</b>	–	57	60	55	59	48	47	42	65
<b>L<sub>WA5</sub>, high (dB(A))</b>	–	64	70	72	76	69	65	60	79
<b>L<sub>WA6</sub>, high (dB(A))</b>	–	64	72	74	81	75	74	71	84

L<sub>WA2</sub>= housing sound power level in dB.

L<sub>WA5</sub>= free inlet sound power level in dB.

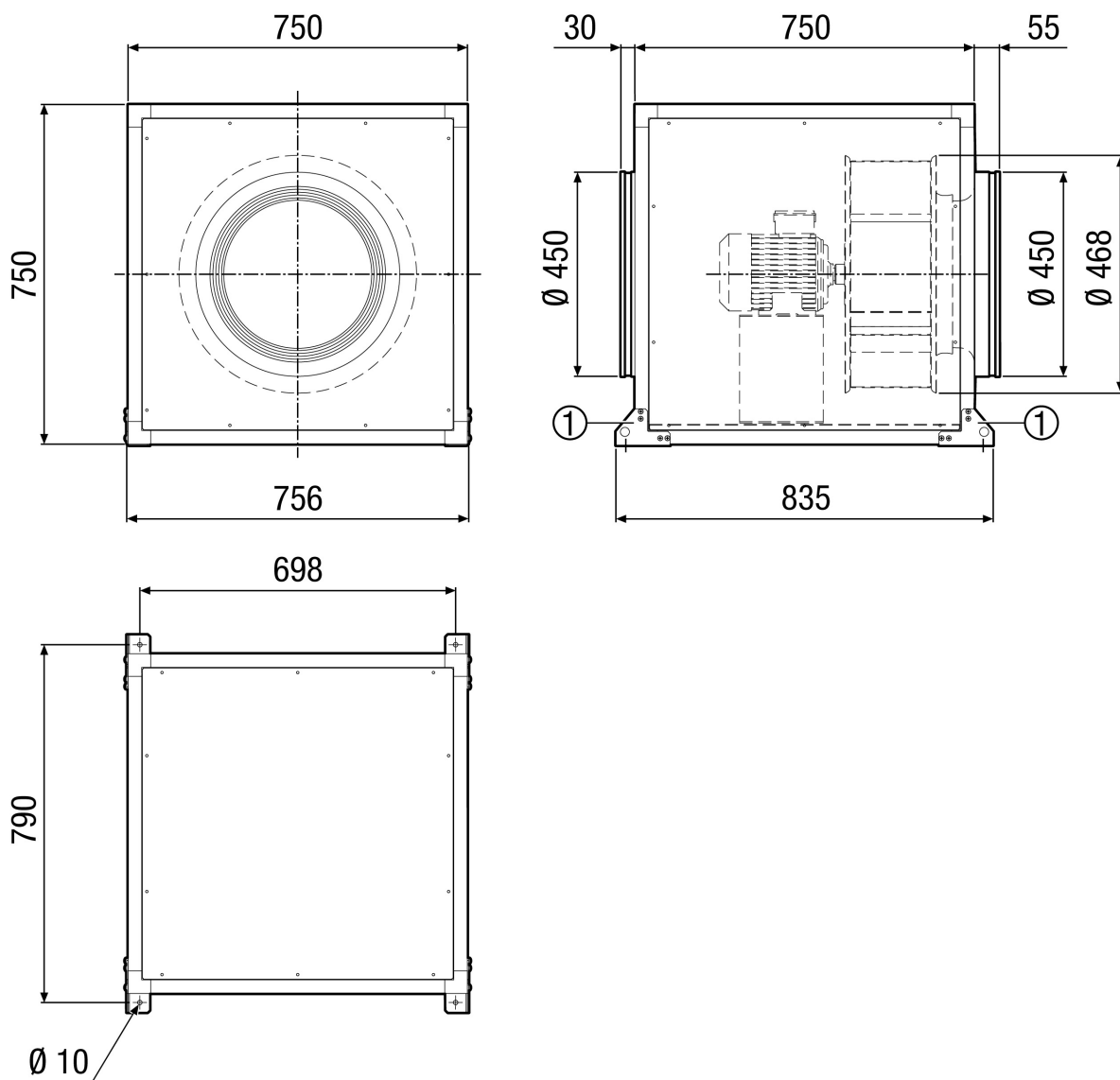
L<sub>WA6</sub>= free outlet sound power level in dB.

## Characteristic curve



# ESQ 45/4

Dimensioned drawing [mm]



① Mounting bracket included in the scope of delivery