

ESR 25-3 EC



Short description

Sound-insulated ventilation box with EC motor and swivelling fan, DN 250, single-phase AC

Application examples

Commercial premises, Showroom, Office, Foreman's office, Changing room

Article number 0080.1003

Technical data

Air flow volume	1.170 m³/h
Rotating speed	2.760 1/min
Impeller type	radial
Speed controllable	✓
Rated voltage	230 V
Frequency	50 Hz/60 Hz
Nominal output	146 W
I _{max}	1,2 A
Degree of protection	IP 54
Insulation class	F
Installation site	Wall / ceiling
Installation position	vertical / horizontal
Material	Sheet steel, galvanised
Colour	Silver
Weight	13,8 kg
Weight including packaging	18 kg
Swivelling fan	✓
Nominal size	250 mm
Width	486 mm
Height	287 mm
Depth	589 mm
Width with packaging	495 mm
Height with packaging	320 mm
Depth with packaging	640 mm
Airstream temperature at I _{Max}	50 °C
Ambient temperature	-30 °C up to 50 °C
Packing unit	1 piece
Range	E
GTIN (EAN)	4012799981060

ESR 25-3 EC

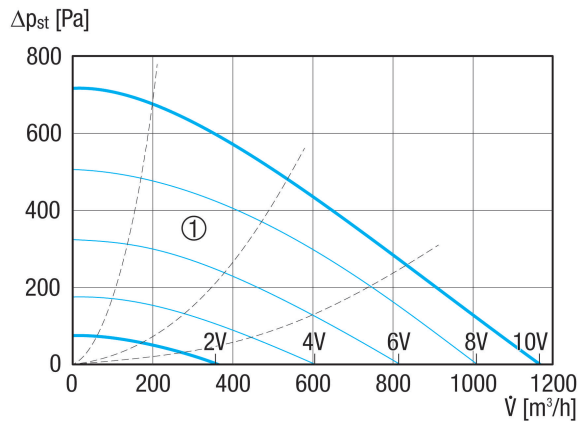
Sound power level in octave range

	63 Hz	125 Hz	250 Hz	500 Hz	1 kHz	2 kHz	4 kHz	8 kHz	Total
L_{WA2}, S1 (dB(A))	30	35	32	37	33	25	10	5	41
L_{WA2}, S2 (dB(A))	29	45	43	44	37	34	21	31	49
L_{WA2}, S3 (dB(A))	37	47	54	51	41	38	28	24	56
L_{WA2}, S4 (dB(A))	43	50	60	56	45	42	33	29	62
L_{WA2}, S5 (dB(A))	46	52	62	59	48	44	35	33	64
L_{WA5}, S1 (dB(A))	31	46	39	35	35	34	26	43	49
L_{WA5}, S2 (dB(A))	35	52	51	44	43	44	43	27	56
L_{WA5}, S3 (dB(A))	40	53	61	52	50	49	50	45	63
L_{WA5}, S4 (dB(A))	44	56	68	58	56	53	54	50	69
L_{WA5}, S5 (dB(A))	47	59	70	63	59	56	57	54	72
L_{WA6}, S1 (dB(A))	25	44	46	48	47	49	36	19	54
L_{WA6}, S2 (dB(A))	30	56	58	60	58	59	54	38	66
L_{WA6}, S3 (dB(A))	36	57	68	69	65	65	61	55	73
L_{WA6}, S4 (dB(A))	41	60	76	75	72	70	66	61	40
L_{WA6}, S5 (dB(A))	44	62	79	79	76	74	69	65	84

L_{WA2}= housing sound power level in dB.
 L_{WA5}= free inlet sound power level in dB.
 L_{WA6}= free outlet sound power level in dB.

ESR 25-3 EC

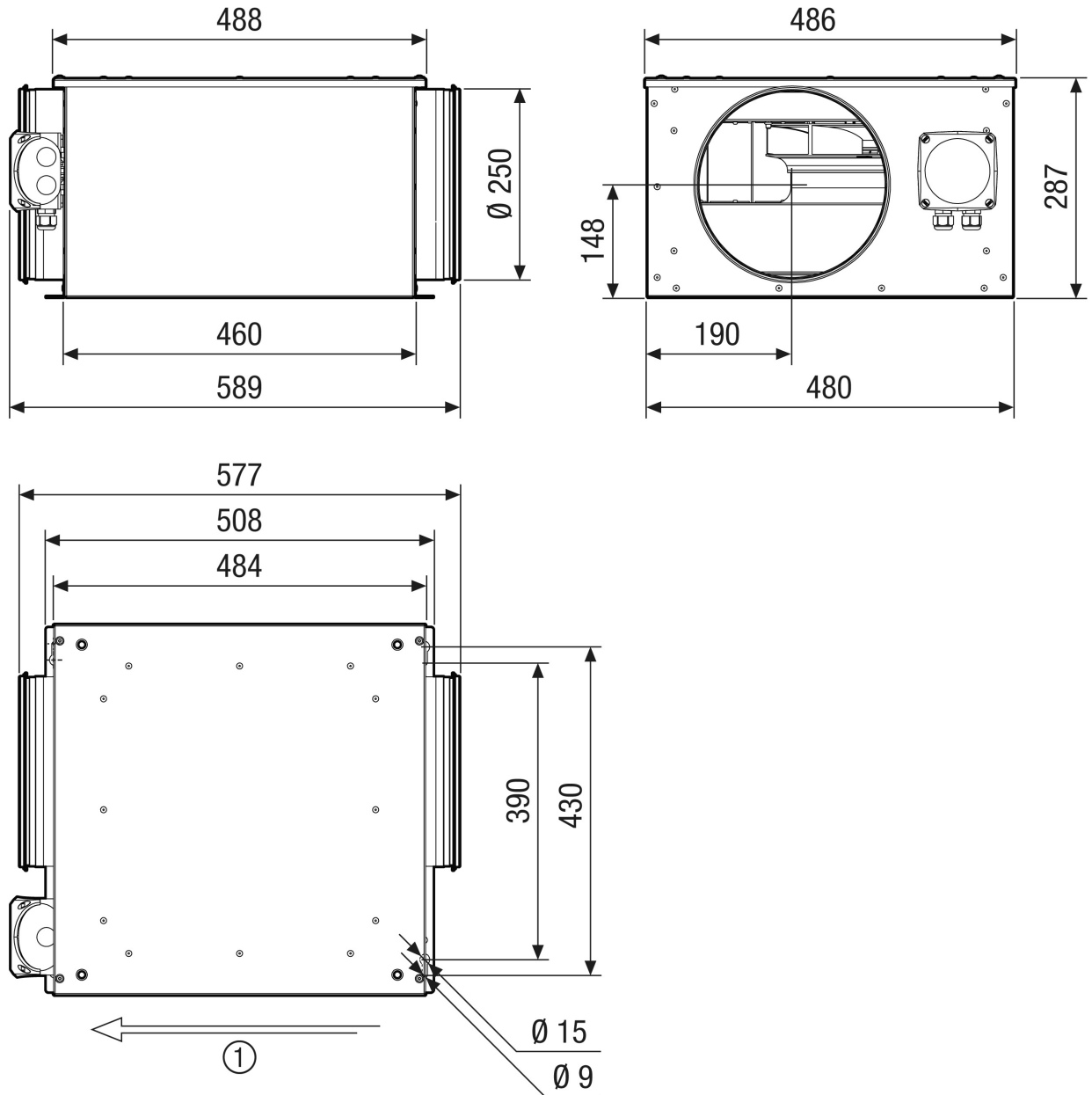
Characteristic curve



① Legend for ESR 25-3 EC characteristic curves

ESR 25-3 EC

Dimensioned drawing [mm]



① Air direction