

EV16



Short description

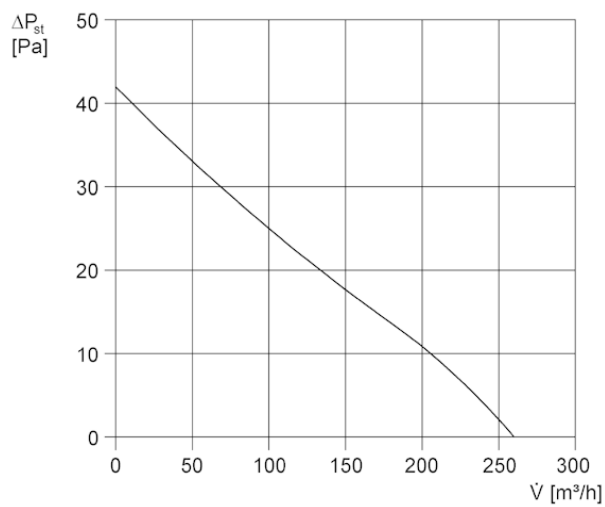
Window fans with internal shutter

Article number 0080.0803

Technical data

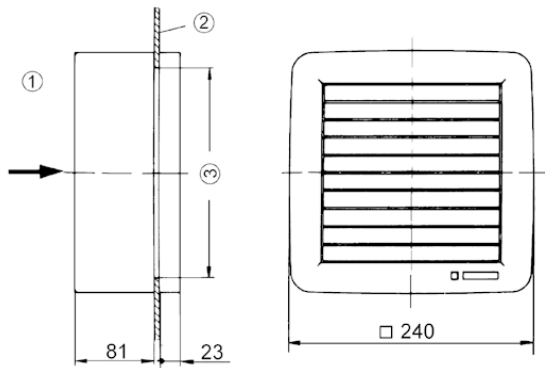
Packing unit	1 piece
--------------	---------

Characteristic curve



EV16

Dimensioned drawing [mm]



- ① Inside
- ② Window pane
- ③ Window cut-out:
Single window: Æ 180 mm
Double-glazed window: Æ 182 mm