

# EVH 22



## Short description

Window fan with 1 m pull-cord for manual operation

Article number 0080.0812

## Technical data

|                      |                       |
|----------------------|-----------------------|
| Air flow volume      | 300 m <sup>3</sup> /h |
| Rotating speed       | 1.335 1/min           |
| Nominal output       | 37 W                  |
| Power consumption    | 39 W                  |
| I <sub>nom</sub>     | 0,25 A                |
| I <sub>max</sub>     | 0,25 A                |
| Weight               | 3,48                  |
| Sound pressure level | 49 dB(A)              |
| Packing unit         | 1 piece               |
| Range                | C                     |
| GTIN (EAN)           | 4012799808121         |

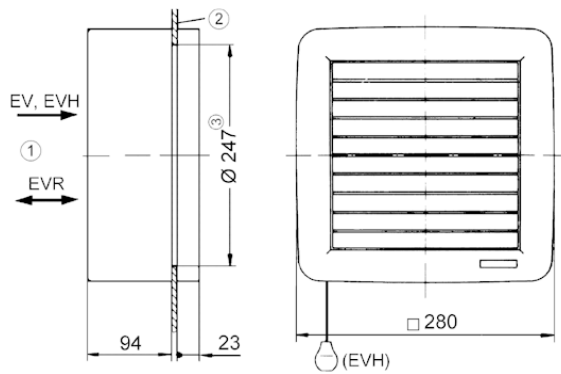
## Sound power level in octave range

|                                   | 63 Hz | 125 Hz | 250 Hz | 500 Hz | 1 kHz | 2 kHz | 4 kHz | 8 kHz | Total |
|-----------------------------------|-------|--------|--------|--------|-------|-------|-------|-------|-------|
| L <sub>WA7, high</sub><br>(dB(A)) | -     | -      | -      | -      | -     | -     | -     | -     | 57    |

L<sub>WA7</sub>= housing and free inlet sound power level in dB.

# EVH 22

Dimensioned drawing [mm]



- ① Inside
- ② Window pane
- ③ Window cut-out:  $\varnothing$  247 mm