

EVN 15 P



Short description

Axial window fan for air extraction, plastic impeller, with pull-cord

Application examples

Restaurant, Showroom, Building container, Lecture room, Nursery school

Article number 0080.0854

Technical data

Air flow volume	240 m ³ /h
Rotating speed	1.550 1/min
Impeller type	axial
Air direction	Air extraction
Reversing capacity	–
Type of voltage	Alternating current
Rated voltage	230 V
Frequency	50 Hz
Nominal output	25 W
I _{max}	0,15 A
Degree of protection	IP 24
Mains cable	3 x 1,5 mm ²
Installation site	Window / Wall
Type of installation	Surface-mounted
Material	Synthetic material
Colour	Traffic white, similar to RAL 9016
Weight	1,61 kg
Weight including packaging	1,9 kg
Type of shutter	manual
Nominal size	150 mm
Width	226 mm
Height	226 mm
Depth	129 mm
Width with packaging	240 mm
Height with packaging	240 mm
Depth with packaging	155 mm
Airstream temperature at I _{Max}	40 °C
Sound pressure level	41 dB(A)
Packing unit	1 piece

EVN 15 P

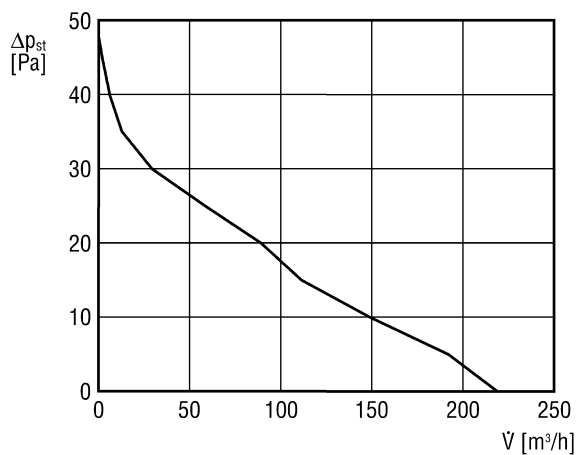
Range	C
GTIN (EAN)	4012799808541

Sound power level in octave range

	63 Hz	125 Hz	250 Hz	500 Hz	1 kHz	2 kHz	4 kHz	8 kHz	Total
L_{WA7, high} (dB(A))	-	-	-	-	-	-	-	-	48

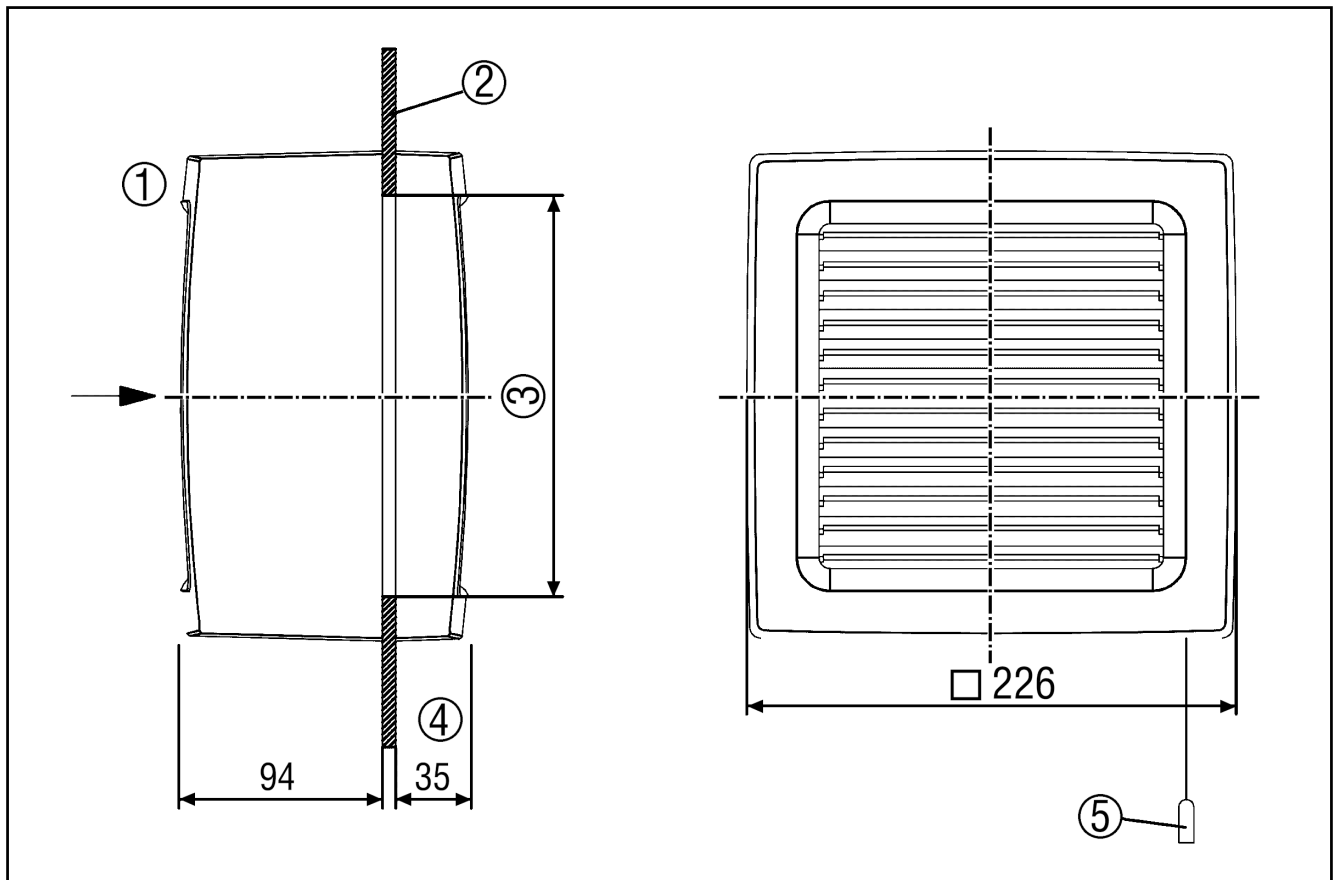
L_{WA7}= housing and free inlet sound power level in dB.

Characteristic curve



EVN 15 P

Dimensioned drawing [mm]



- ① Inside
- ② Window
- ③ Window cut-out: Minimum diameter is 184 mm, maximum diameter is 195 mm
- ④ 15 mm more with open lamella
- ⑤ Pull-cord only for EVN 15 P