

# EVN 22



## Short description

Axial window fan for air extraction, aluminium impeller

## Application examples

Restaurant, Showroom, Building container, Lecture room, Nursery school

Article number 0080.0855

## Technical data

Air flow volume	490 m <sup>3</sup> /h
Rotating speed	1.160 1/min
Impeller type	axial
Air direction	Air extraction
Reversing capacity	–
Type of voltage	Alternating current
Rated voltage	230 V
Frequency	50 Hz
Nominal output	37 W
I <sub>max</sub>	0,23 A
Degree of protection	IP 24
Mains cable	3 x 1,5 mm <sup>2</sup>
Installation site	Window / Wall
Type of installation	Surface-mounted
Material	Synthetic material
Colour	Traffic white, similar to RAL 9016
Weight	3,85 kg
Weight including packaging	4,75 kg
Type of shutter	Airstream-operated opening/closing
Nominal size	225 mm
Width	335 mm
Height	335 mm
Depth	192 mm
Width with packaging	380 mm
Height with packaging	380 mm
Depth with packaging	220 mm
Airstream temperature at I <sub>Max</sub>	40 °C
Sound pressure level	48 dB(A)
Packing unit	1 piece

# EVN 22

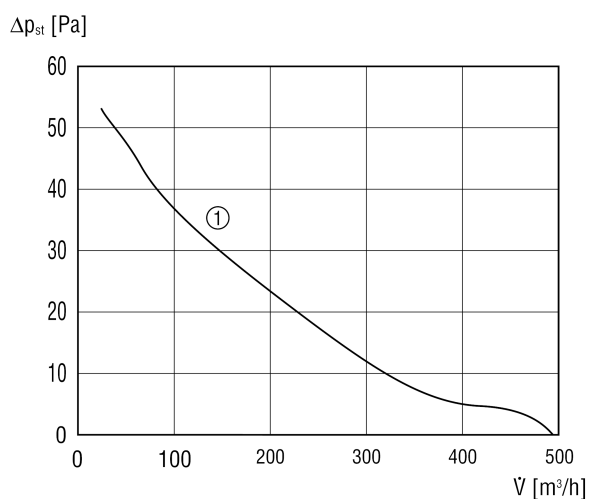
Range	C
GTIN (EAN)	4012799808558

## Sound power level in octave range

	63 Hz	125 Hz	250 Hz	500 Hz	1 kHz	2 kHz	4 kHz	8 kHz	Total
<b>L<sub>WA7, high</sub></b> <b>(dB(A))</b>	-	-	-	-	-	-	-	-	55

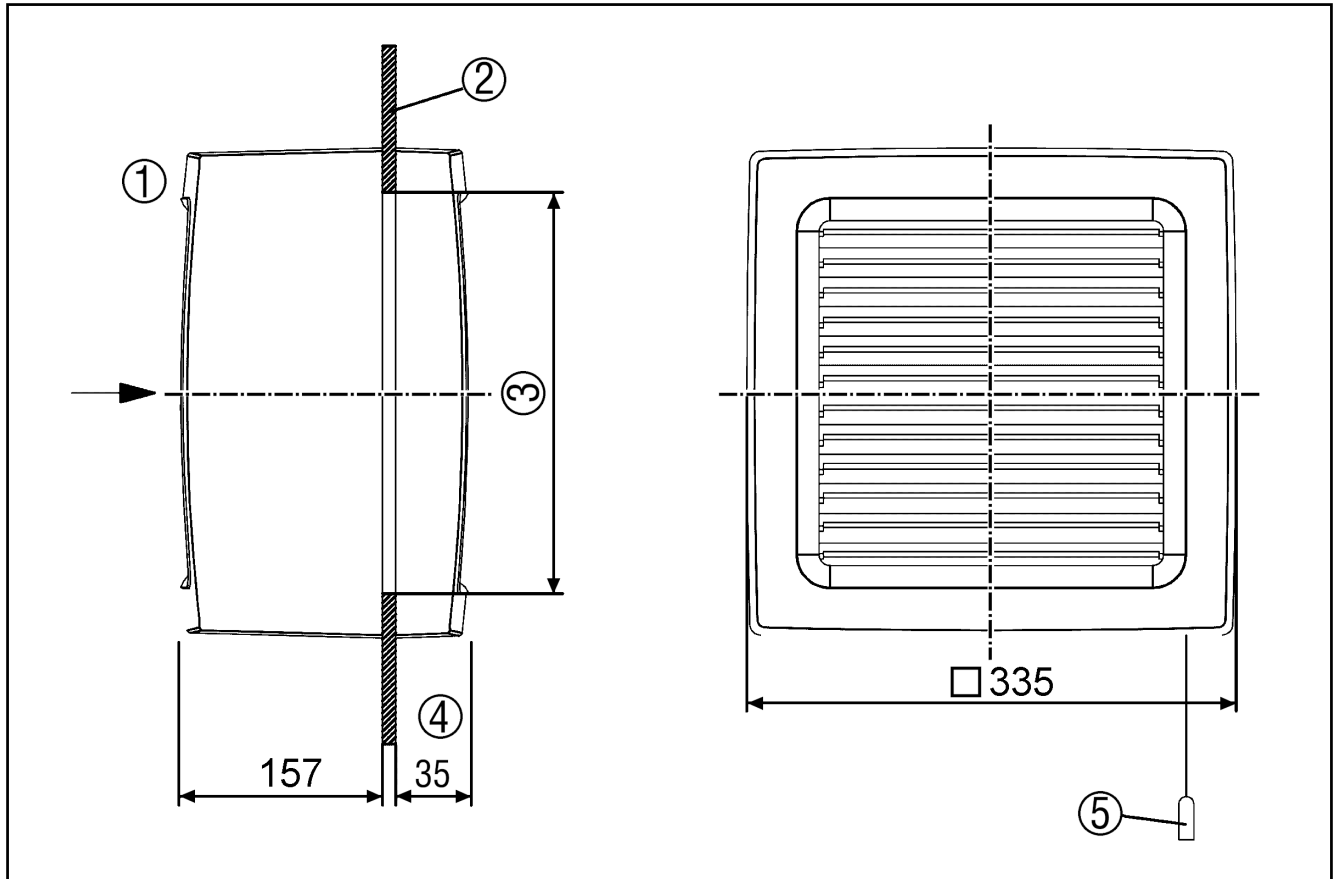
L<sub>WA7</sub>= housing and free inlet sound power level in dB.

## Characteristic curve



# EVN 22

Dimensioned drawing [mm]



- ① Inside
- ② Window
- ③ Window cut-out: Minimum diameter is 257 mm, maximum diameter is 262 mm
- ④ 30 mm more with open lamella
- ⑤ Pull-cord only for EVN 22 P