

EVR 22



Short description

Window fan for ventilation and air extraction

Article number 0080.0811

Technical data

Air flow volume	350 m³/h
Rotating speed	1.420 1/min
Air direction	Ventilation
Nominal output	30 W
Power consumption	30 W
I _{nom}	0,15 A
I _{max}	0,16 A
Weight	3,845
Sound pressure level	51 dB(A)
Packing unit	1 piece
Range	C
GTIN (EAN)	4012799808114

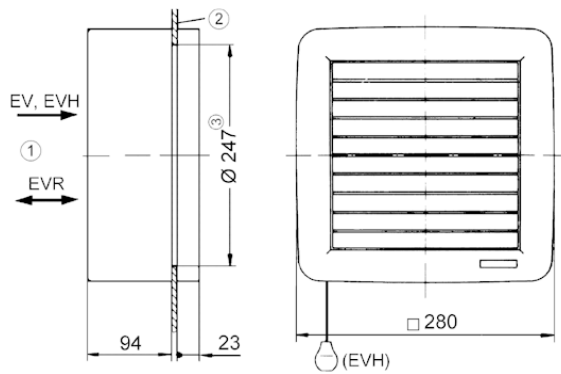
Sound power level in octave range

	63 Hz	125 Hz	250 Hz	500 Hz	1 kHz	2 kHz	4 kHz	8 kHz	Total
L _{WA7, high} (dB(A))	-	-	-	-	-	-	-	-	60

L_{WA7}= housing and free inlet sound power level in dB.

EVR 22

Dimensioned drawing [mm]



- ① Inside
- ② Window pane
- ③ Window cut-out: \varnothing 247 mm