

# EV 22



## Short description

Window fan for air extraction

Article number 0080.0810

## Technical data

Air flow volume	300 m <sup>3</sup> /h
Rotating speed	1.335 1/min
Nominal output	37 W
Power consumption	39 W
I <sub>nom</sub>	0,25 A
I <sub>max</sub>	0,25 A
Weight	3,565
Sound pressure level	49 dB(A)
Packing unit	1 piece
Range	C
GTIN (EAN)	4012799808107

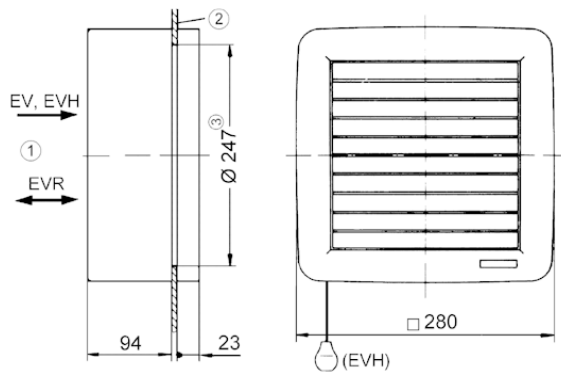
## Sound power level in octave range

	63 Hz	125 Hz	250 Hz	500 Hz	1 kHz	2 kHz	4 kHz	8 kHz	Total
L <sub>WA7, high</sub> (dB(A))	-	-	-	-	-	-	-	-	57

L<sub>WA7</sub>= housing and free inlet sound power level in dB.

# EV 22

Dimensioned drawing [mm]



- ① Inside
- ② Window pane
- ③ Window cut-out:  $\varnothing$  247 mm