

EV 31



Short description

Axial window fan for air extraction

Application examples

Office, Office, Commercial premises, Restaurant, Production facility

Article number 0080.0820

Technical data

Air flow volume	1.400 m ³ /h
Rotating speed	1.440 1/min
Impeller type	axial
Air direction	Air extraction
Speed controllable	✓
Type of voltage	Alternating current
Rated voltage	230 V
Frequency	50 Hz
Nominal output	110 W
Power consumption	110 W
I _{nom}	0,5 A
I _{max}	0,6 A
Degree of protection	IP 20
Mains cable	5 x 1,5 mm ²
Installation site	Window
Material	Synthetic material
Colour	Traffic white, similar to RAL 9016
Weight	6,8 kg
Weight including packaging	7,92 kg
Type of shutter	electrical
Nominal size	315 mm
Width	410 mm
Height	410 mm
Depth	153 mm
Width with packaging	440 mm
Height with packaging	440 mm
Depth with packaging	190 mm
Airstream temperature at I _{Max}	40 °C
Sound pressure level	61 dB(A)

EV 31

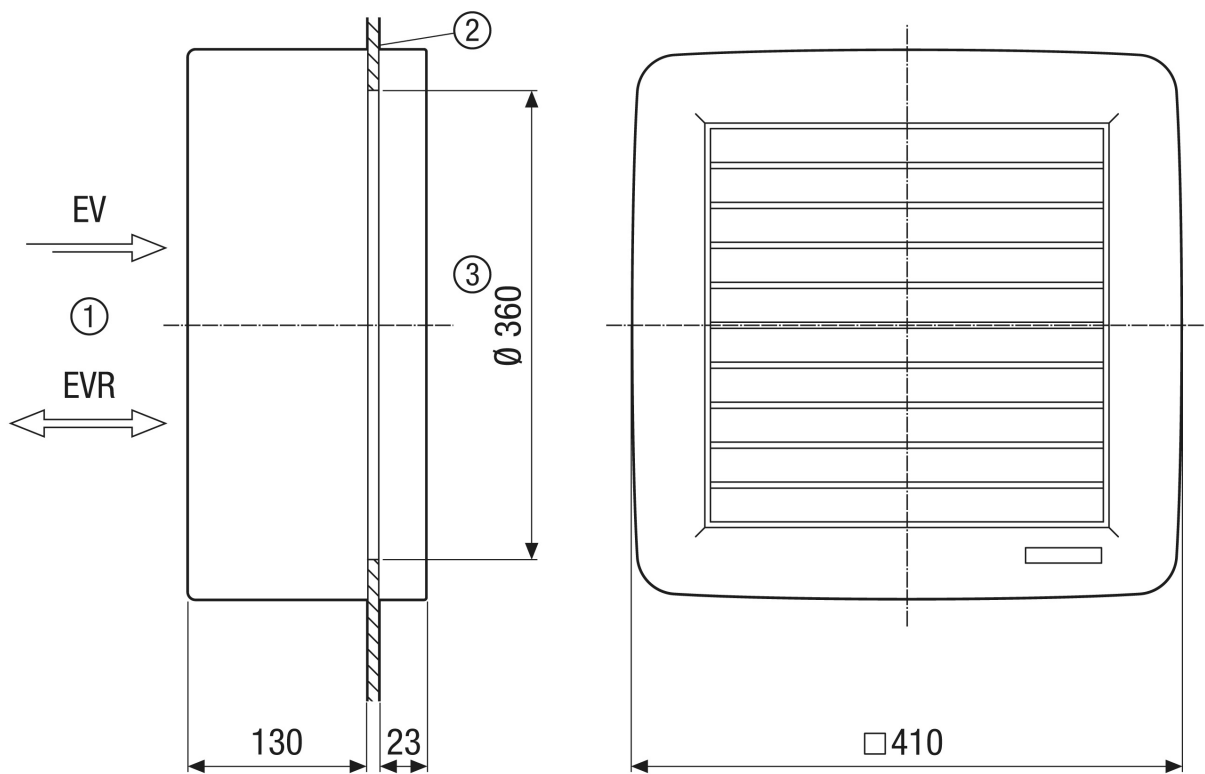
Packing unit	1 piece
Range	C
GTIN (EAN)	4012799808206

Sound power level in octave range

	63 Hz	125 Hz	250 Hz	500 Hz	1 kHz	2 kHz	4 kHz	8 kHz	Total
$L_{WA7, high}$ (dB(A))	-	-	-	-	-	-	-	-	72

L_{WA7} = housing and free inlet sound power level in dB.

Dimensioned drawing [mm]



- ① Inside
- ② Window pane
- ③ Window cut-out: 360 mm diameter