

# EW-K 225



## Short description

Brine-air heat exchanger for brine geothermal heat exchanger, DN 225 with 30 mm thermal insulation and integrated G4 air filter, max. volumetric flow 450 m<sup>3</sup>/h

## Application examples

Single-family houses in combination with ventilation units with heat recovery, Low-energy and passive houses

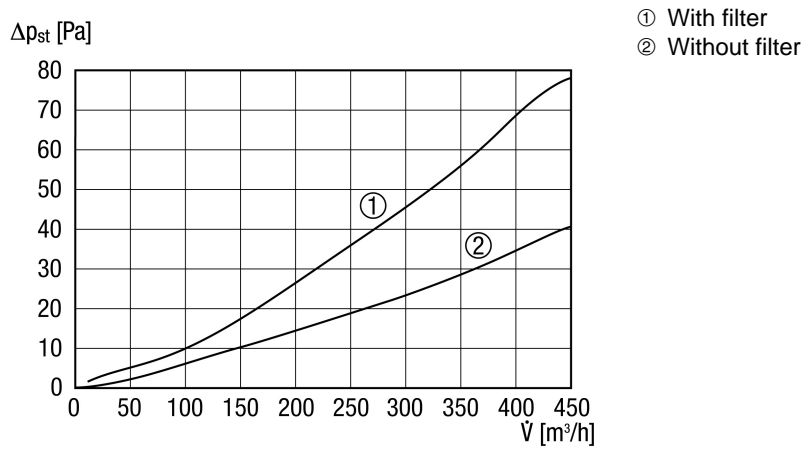
Article number 0192.0520

## Technical data

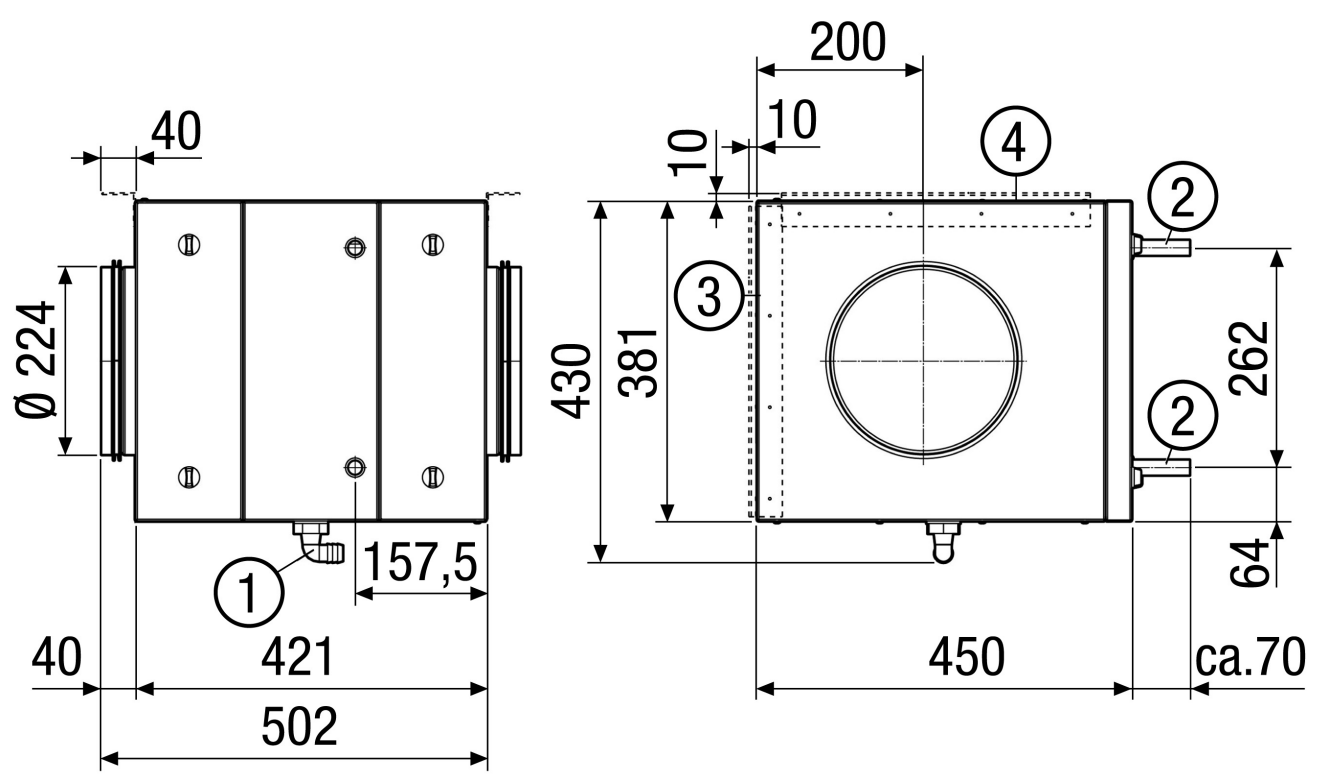
Max. volumetric flow	450 m <sup>3</sup> /h
Weight	22,7 kg
Weight including packaging	24,73 kg
Type of filter	Dust filter
Filter class	G4
Brine connection nominal size	18 mm
Nominal size	224 mm
Width	430 mm
Height	450 mm
Depth	502 mm
Width with packaging	550 mm
Height with packaging	560 mm
Depth with packaging	410 mm
Thermal insulation	30 mm
Packing unit	1 piece
Range	K
GTIN (EAN)	4012799925200

# EW-K 225

## Characteristic curve



## Dimensioned drawing [mm]



- ① Condensation drain, 3/4"
- ② Brine connection, Ø 18 mm
- ③ Wall mounting bracket
- ④ Ceiling mounting bracket

# EW-K 225

