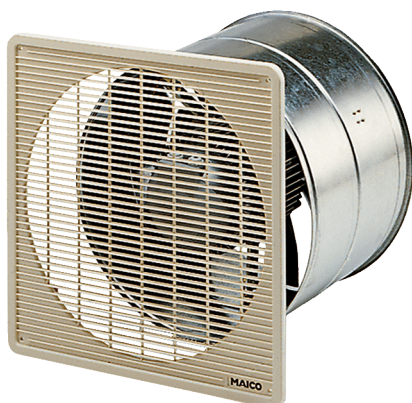


# EZF 25/4 D



## Short description

Axial built-in wall fan for flush-mounted installation, DN250, single-phase AC

## Application examples

Changing room, Foreman's office, Restaurant, Garage, Fitness room

Article number 0085.0487

## Technical data

Model	Wall sleeve
Air flow volume	900 m <sup>3</sup> /h
Rotating speed	1.425 1/min
Impeller type	axial
Speed controllable	✓
Reversing capacity	✓
Type of voltage	Alternating current
Rated voltage	230 V
Frequency	50 Hz
Nominal output	30 W
Power consumption	38 W
I <sub>nom</sub>	0,15 A
I <sub>max</sub>	0,18 A
Degree of protection	IP 54
Insulation class	B
Mains cable	3 x 1,5 mm <sup>2</sup>
Installation site	Wall / Ceiling
Type of installation	Recessed-mounted
Installation position	horizontal / vertical
Material	Sheet steel, galvanised
Colour	Silver
Weight	4,25 kg
Weight including packaging	5,09 kg
Nominal size	250 mm
Width	320 mm
Height	320 mm
Depth	240 mm
Width with packaging	420 mm
Height with packaging	330 mm

# EZF 25/4 D

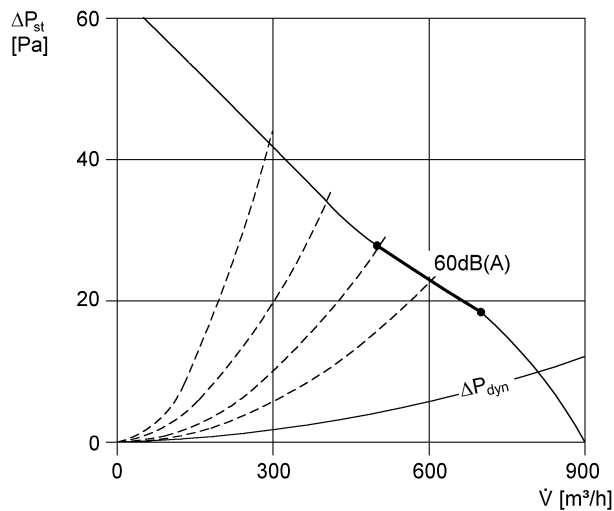
Depth with packaging	435 mm
Airstream temperature at nominal current	-20 °C up to 60 °C
Airstream temperature at I <sub>Max</sub>	-20 °C up to 60 °C
Packing unit	1 piece
Range	C
GTIN (EAN)	4012799854876

## Sound power level in octave range

	63 Hz	125 Hz	250 Hz	500 Hz	1 kHz	2 kHz	4 kHz	8 kHz	Total
<b>L<sub>WA7, S5</sub></b> <b>(dB(A))</b>	27	45	57	59	58	58	51	40	64

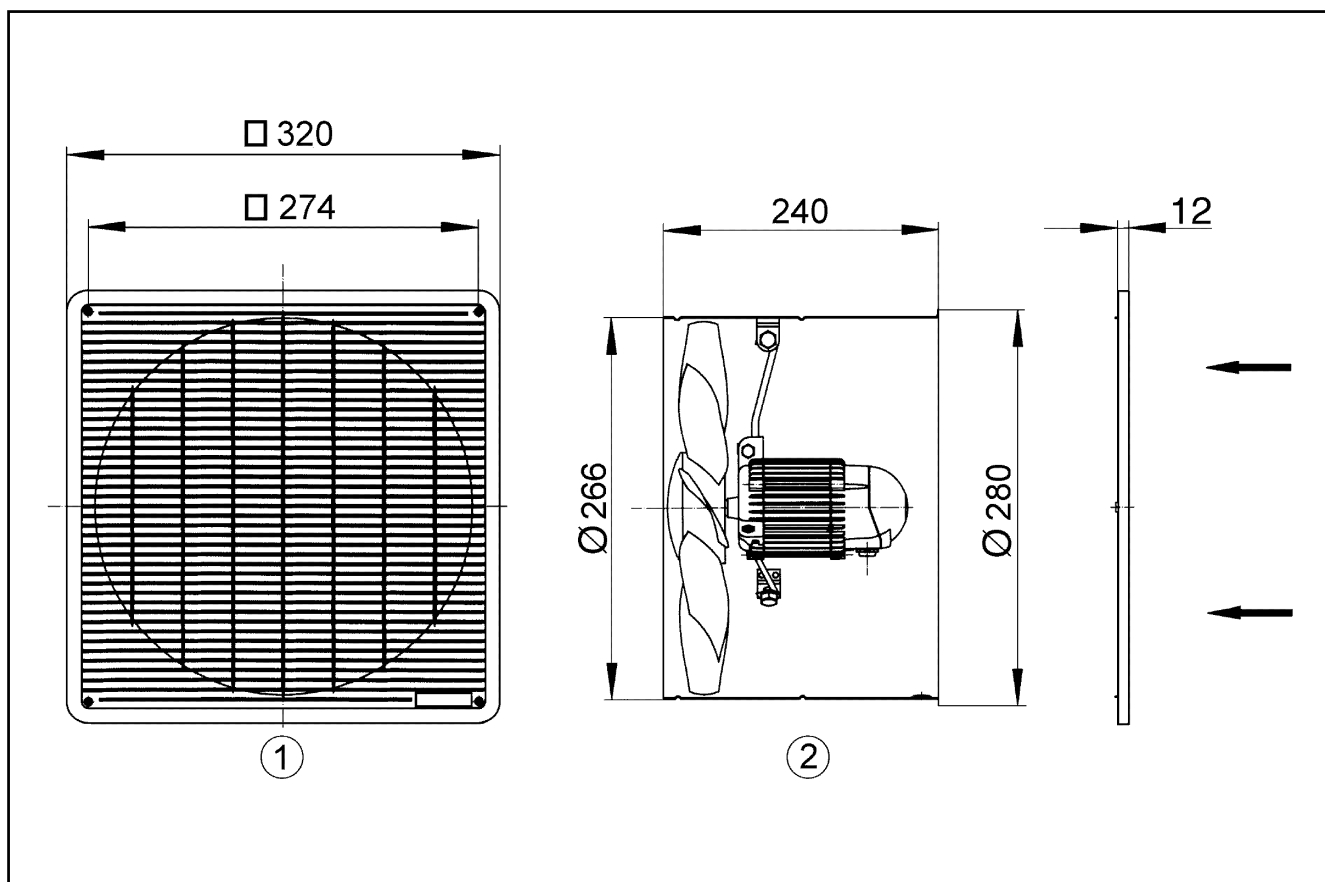
L<sub>WA7</sub>= housing and free inlet sound power level in dB.

## Characteristic curve



# EZF 25/4 D

Dimensioned drawing [mm]



- ① Protective grille on intake side
- ② Air flow direction with air drawn across the motor