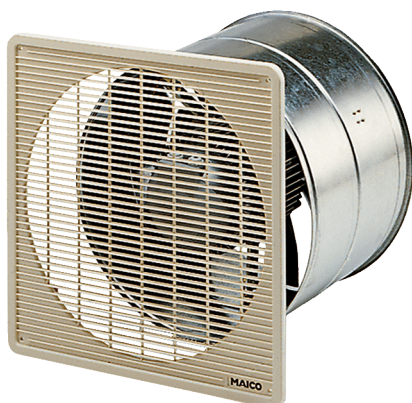


# EZF 35/4 B



## Short description

Axial wall fan for recessed-mounted installation, DN 350, single-phase AC

## Application examples

Changing room, Foreman's office, Restaurant, Garage, Fitness room

Article number 0085.0056

## Technical data

Model	Wall sleeve
Air flow volume	2.760 m <sup>3</sup> /h
Air volume <sub>nom</sub>	1.938 m <sup>3</sup> /h (in opt. efficiency)
Pressure p <sub>fs, nom</sub>	57 Pa (in opt. efficiency)
Rotating speed n <sub>nom</sub>	1.455 1/min (in opt. efficiency)
Rotating speed	1.461 1/min
Impeller type	axial
Speed controllable	✓
Reversing capacity	✓
Type of voltage	Alternating current
Rated voltage	230 V
Frequency	50 Hz
Nominal output	120 W
I <sub>nom</sub>	0,45 A
I <sub>max</sub>	0,75 A
Degree of protection	IP 55
Insulation class	B
Mains cable	3 x 1,5 mm <sup>2</sup>
Installation site	Wall / Ceiling
Type of installation	Recessed-mounted
Installation position	horizontal / vertical
Material	Sheet steel, galvanised
Colour	Silver
Weight	12,01 kg
Weight including packaging	13,45 kg
Nominal size	350 mm
Width	428 mm
Height	428 mm
Depth	300 mm

# EZF 35/4 B

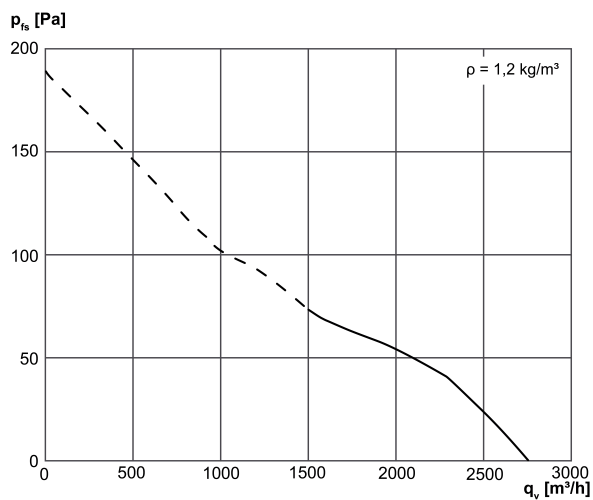
Width with packaging	445 mm
Height with packaging	445 mm
Depth with packaging	340 mm
Airstream temperature at nominal current	60 °C
Airstream temperature at $I_{Max}$	-20 °C up to 60 °C
Packing unit	1 piece
Range	C
GTIN (EAN)	4012799850564

## Sound power level in octave range

	63 Hz	125 Hz	250 Hz	500 Hz	1 kHz	2 kHz	4 kHz	8 kHz	Total
<b>L<sub>WA7, S5</sub></b> <b>(dB(A))</b>	-	-	-	-	-	-	-	-	77

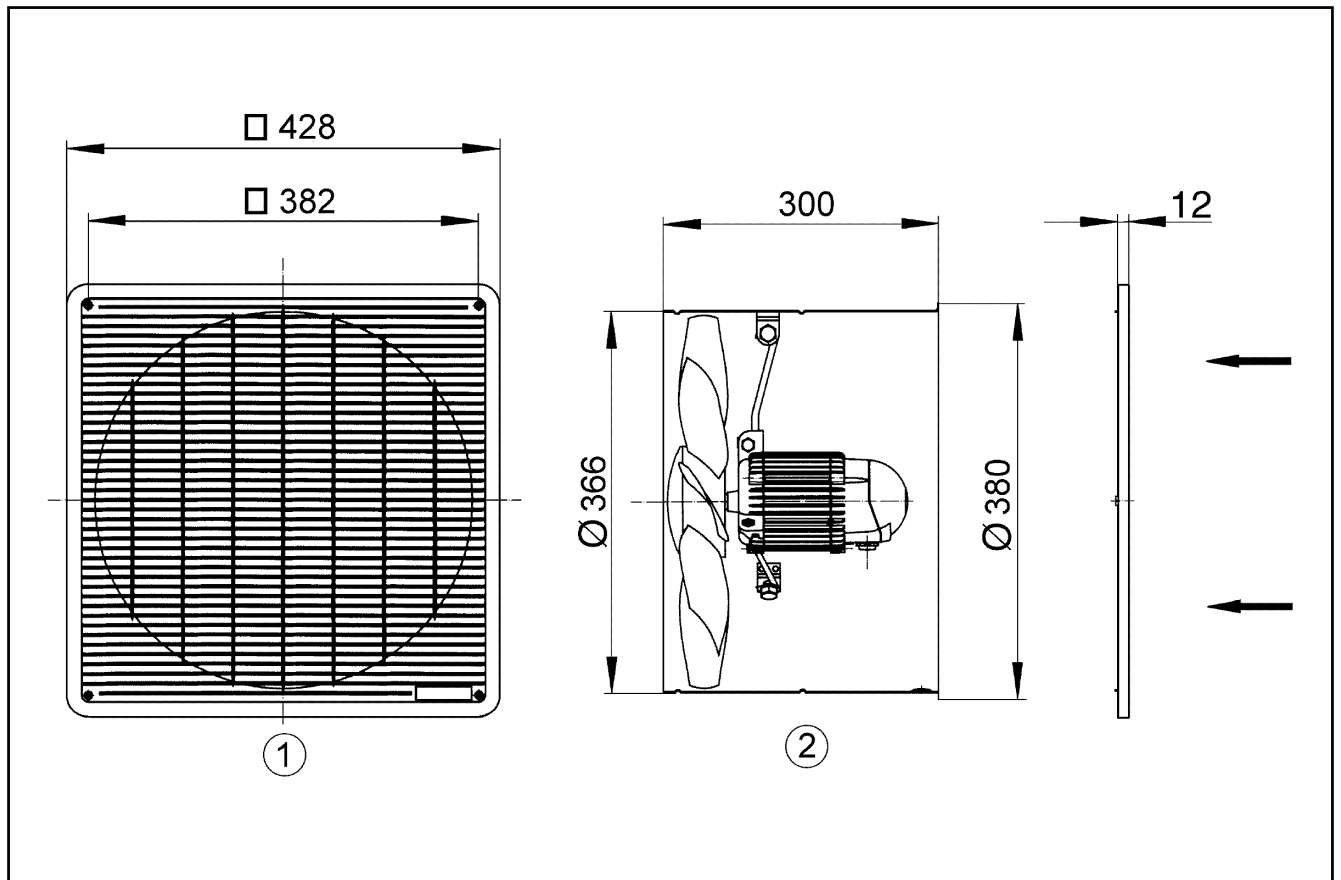
L<sub>WA7</sub>= housing and free inlet sound power level in dB.

## Characteristic curve



# EZF 35/4 B

Dimensioned drawing [mm]



- ① Protective grille on intake side
- ② Air flow direction with air drawn across the motor