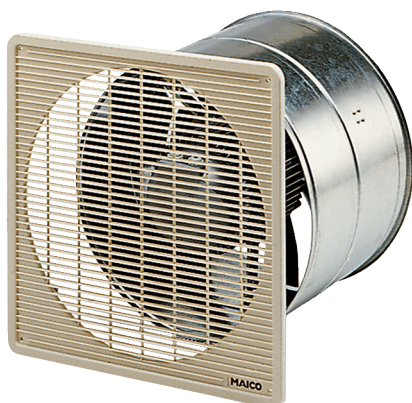


# EZF 45/4 B



## Short description

Axial wall fan for recessed-mounted installation, DN 450, single-phase AC

## Application examples

Changing room, Foreman's office, Restaurant, Garage, Fitness room

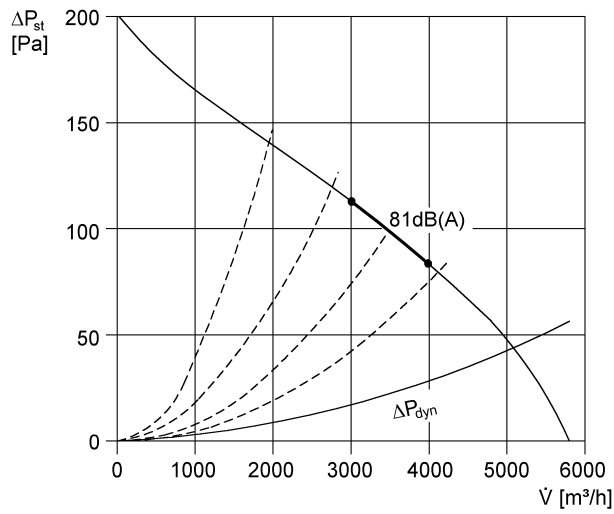
Article number 0085.0060

## Technical data

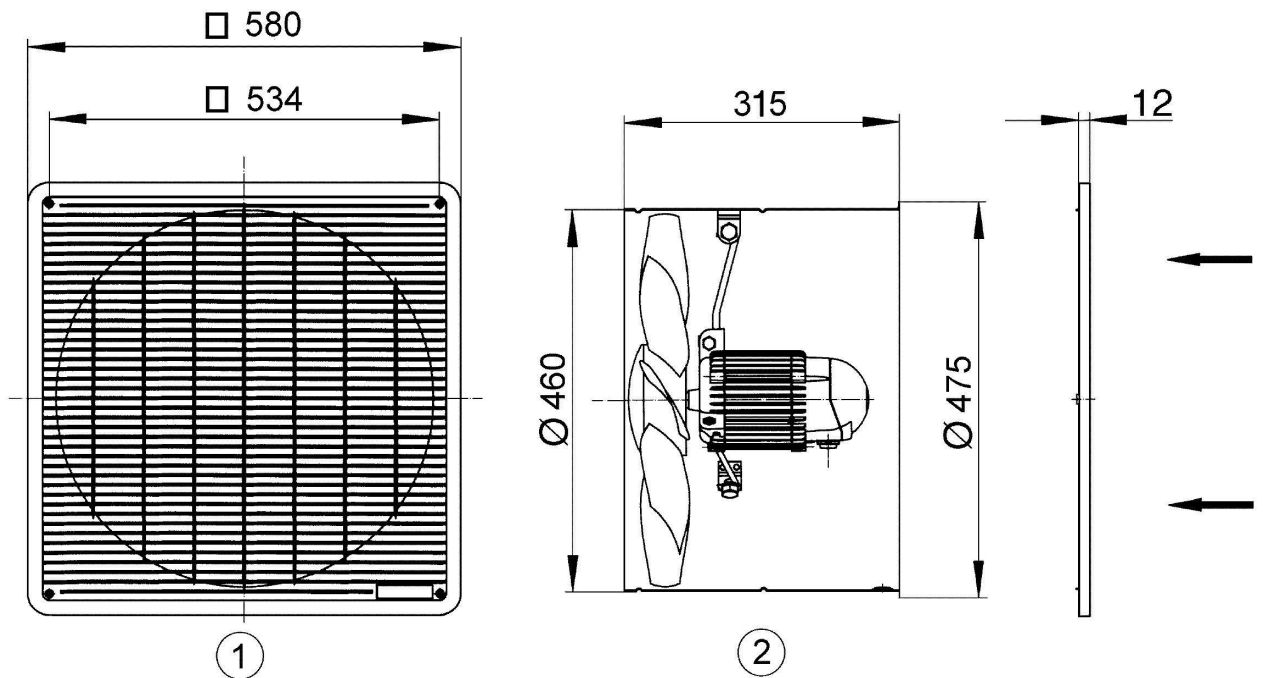
Air flow volume	5.800 m <sup>3</sup> /h
Rotating speed	1.425 1/min
Speed controllable	✓
Reversing capacity	–
Type of voltage	Alternating current
Rated voltage	230 V
Frequency	50 Hz
Nominal output	460 W
I <sub>nom</sub>	2,1 A
Degree of protection	IP 55
Installation site	Wall / Ceiling
Type of installation	Recessed-mounted
Installation position	horizontal / vertical
Material	Sheet steel, galvanised
Weight	16,1 kg
Weight including packaging	16,49 kg
Nominal size	450 mm
Width with packaging	600 mm
Height with packaging	340 mm
Depth with packaging	600 mm
Airstream temperature at I <sub>Max</sub>	-20 °C up to 45 °C
Packing unit	1 piece
Range	C
GTIN (EAN)	4012799850601

# EZF 45/4 B

## Characteristic curve



## Dimensioned drawing [mm]



- ① Protective grille on intake side
- ② Air flow direction with air drawn across the motor

# EZF 45/4 B

