

EZF 45/6 B



Short description

Axial wall fan for recessed-mounted installation, DN 450, single-phase AC

Application examples

Changing room, Foreman's office, Restaurant, Garage, Fitness room

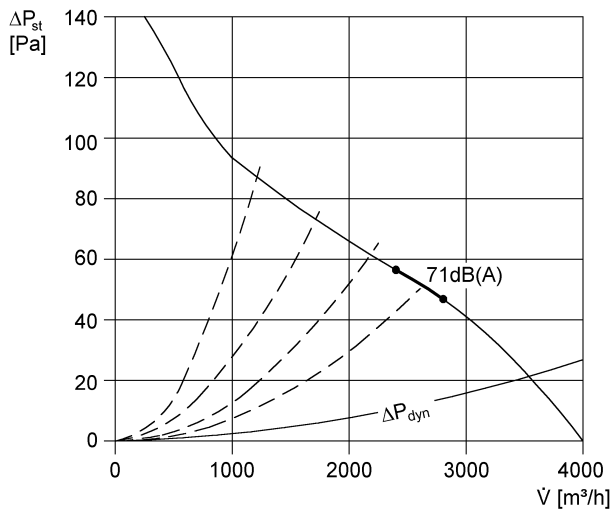
Article number 0085.0059

Technical data

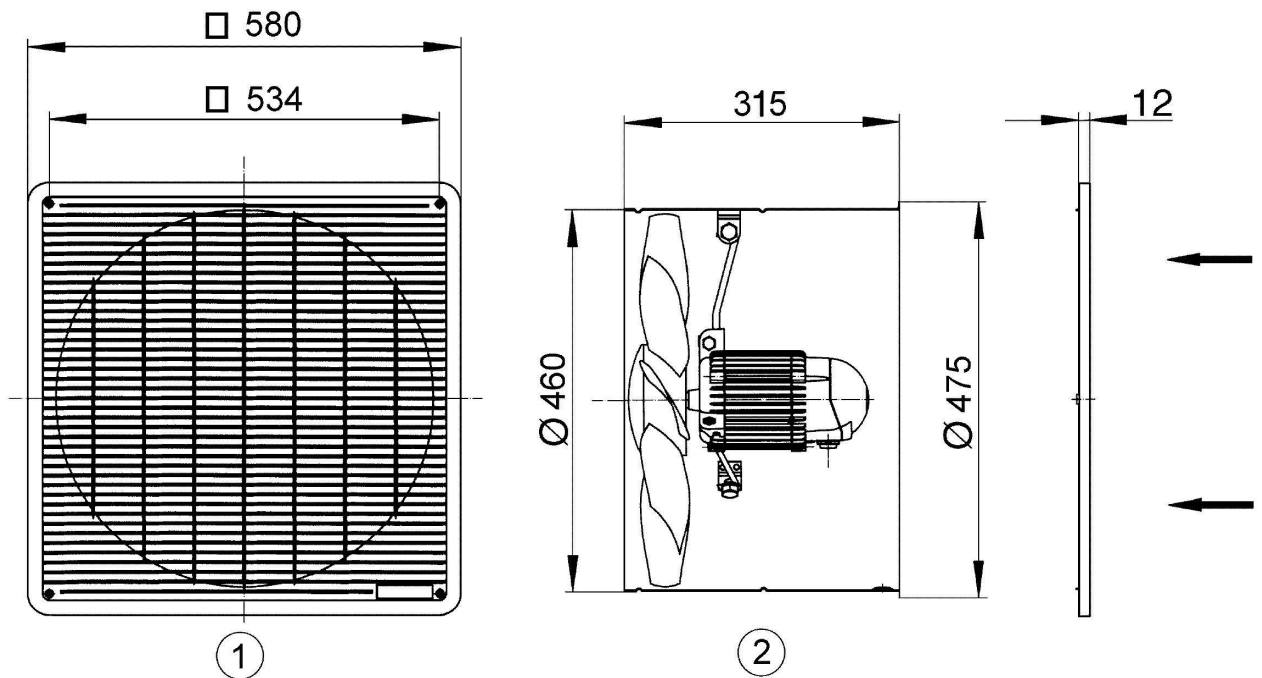
Air flow volume	4.000 m ³ /h
Rotating speed	930 1/min
Speed controllable	✓
Reversing capacity	–
Type of voltage	Alternating current
Rated voltage	230 V
Frequency	50 Hz
Nominal output	190 W
I _{nom}	1,2 A
Degree of protection	IP 55
Installation site	Wall / Ceiling
Type of installation	Recessed-mounted
Installation position	horizontal / vertical
Material	Sheet steel, galvanised
Weight	13,9 kg
Weight including packaging	15,94 kg
Nominal size	450 mm
Width with packaging	590 mm
Height with packaging	340 mm
Depth with packaging	590 mm
Airstream temperature at I _{Max}	-20 °C up to 60 °C
Packing unit	1 piece
Range	C
GTIN (EAN)	4012799850595

EZF 45/6 B

Characteristic curve



Dimensioned drawing [mm]



- ① Protective grille on intake side
- ② Air flow direction with air drawn across the motor

EZF 45/6 B

