

# EZG 30/4 B



## Short description

Axial greenhouse fan, DN 300, alternating current

## Application examples

Forced ventilation system, Hothouse, Greenhouse, Production facility

Article number 0085.0150

## Technical data

Air flow volume	1.600 m³/h
Rotating speed	1.425 1/min
Impeller type	axial
Air direction	Circulating air
Speed controllable	✓
Reversing capacity	✓
Type of voltage	Alternating current
Rated voltage	230 V
Frequency	50 Hz
Nominal output	90 W
I <sub>nom</sub>	0,4 A
I <sub>max</sub>	0,5 A
Degree of protection	IP 55
Insulation class	B
Mains cable	3 x 1,5 mm²
Installation position	horizontal
Material	Sheet steel, galvanised
Colour	Silver
Weight	9,12 kg
Weight including packaging	9,92 kg
Nominal size	300 mm
Width	356 mm
Height	356 mm
Depth	308 mm
Width with packaging	420 mm
Height with packaging	430 mm
Depth with packaging	330 mm
Airstream temperature at I <sub>Max</sub>	-20 °C up to 60 °C
Packing unit	1 piece

# EZG 30/4 B

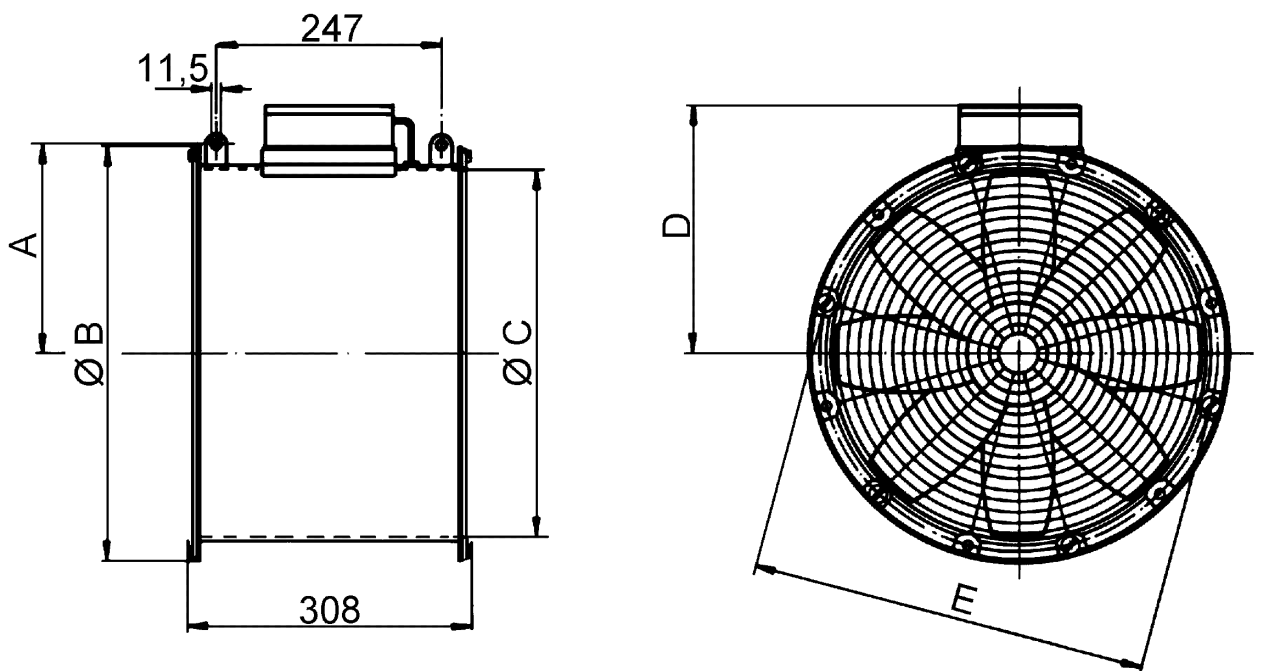
Range	C
GTIN (EAN)	4012799851509

## Sound power level in octave range

	63 Hz	125 Hz	250 Hz	500 Hz	1 kHz	2 kHz	4 kHz	8 kHz	Total
<b>L<sub>WA1, high</sub></b> <b>(dB(A))</b>	-	-	-	-	-	-	-	-	73

L<sub>WA1</sub> = Total sound power level of greenhouse fans or air purifiers, free-suction and free-blowing

## Dimensioned drawing [mm]



A	B	C	D	E
182	380	313	222	356