

# EZG 35/4 B



## Short description

Axial greenhouse fan, DN 350, alternating current

## Application examples

Forced ventilation system, Hothouse, Greenhouse, Production facility

Article number 0085.0151

## Technical data

Air flow volume	2.400 m <sup>3</sup> /h
Rotating speed	1.425 1/min
Impeller type	axial
Air direction	Circulating air
Speed controllable	✓
Reversing capacity	✓
Type of voltage	Alternating current
Rated voltage	230 V
Frequency	50 Hz
Nominal output	120 W
I <sub>nom</sub>	0,55 A
I <sub>max</sub>	0,7 A
Degree of protection	IP 55
Insulation class	B
Mains cable	3 x 1,5 mm <sup>2</sup>
Installation position	horizontal
Material	Sheet steel, galvanised
Colour	Silver
Weight	9,84 kg
Weight including packaging	11,06 kg
Nominal size	350 mm
Width	395 mm
Height	395 mm
Depth	308 mm
Width with packaging	485 mm
Height with packaging	445 mm
Depth with packaging	330 mm
Airstream temperature at I <sub>Max</sub>	-20 °C up to 60 °C
Packing unit	1 piece

# EZG 35/4 B

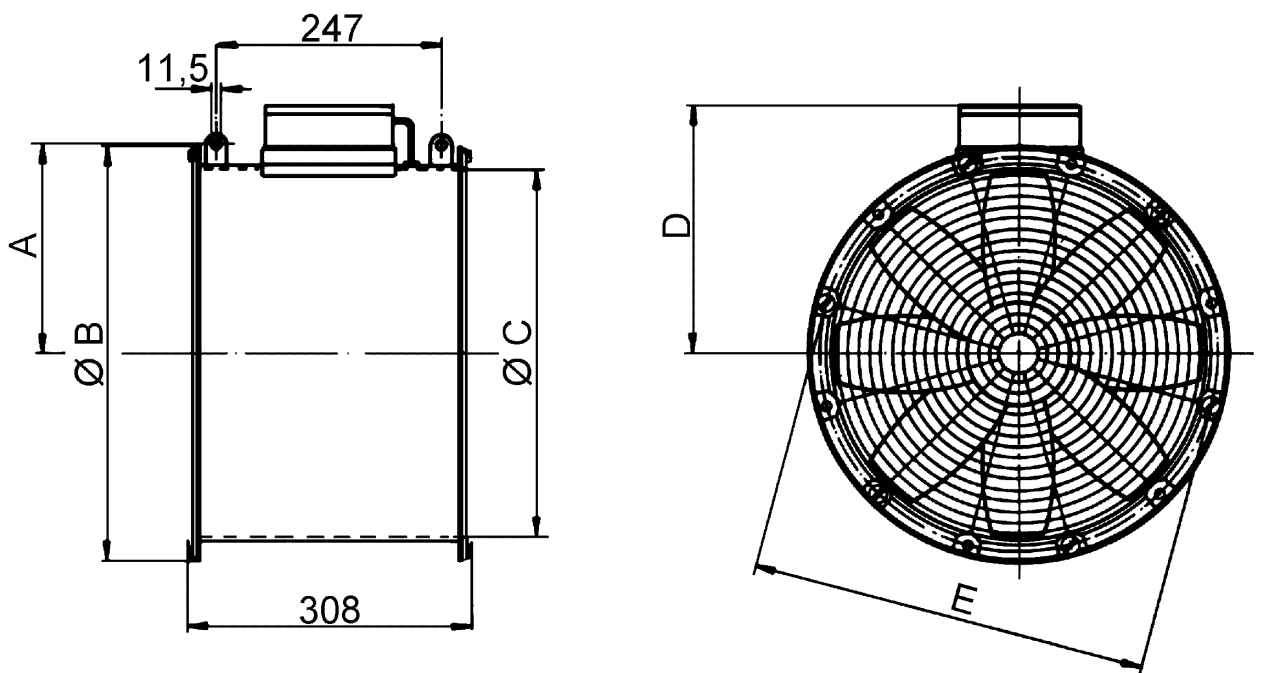
Range	C
GTIN (EAN)	4012799851516

## Sound power level in octave range

	63 Hz	125 Hz	250 Hz	500 Hz	1 kHz	2 kHz	4 kHz	8 kHz	Total
<b>L<sub>WA1, high</sub></b> (dB(A))	-	-	-	-	-	-	-	-	78

L<sub>WA1</sub> = Total sound power level of greenhouse fans or air purifiers, free-suction and free-blowing

## Dimensioned drawing [mm]



A	B	C	D	E
207	420	363	248	395