

EZG 40/4 B



Short description

Axial greenhouse fan, DN 400, alternating current

Application examples

Forced ventilation system, Hothouse, Greenhouse, Production facility

Article number 0085.0152

Technical data

Air flow volume	3.800 m ³ /h
Rotating speed	1.425 1/min
Impeller type	axial
Air direction	Circulating air
Speed controllable	✓
Reversing capacity	✓
Type of voltage	Alternating current
Rated voltage	230 V
Frequency	50 Hz
Nominal output	230 W
I _{nom}	1,1 A
I _{max}	1,25 A
Degree of protection	IP 55
Insulation class	F
Mains cable	3 x 1,5 mm ²
Installation position	horizontal
Material	Sheet steel, galvanised
Colour	Silver
Weight	11,48 kg
Weight including packaging	12,84 kg
Nominal size	400 mm
Width	438 mm
Height	438 mm
Depth	308 mm
Width with packaging	475 mm
Height with packaging	475 mm
Depth with packaging	335 mm
Airstream temperature at I _{Max}	-20 °C up to 60 °C
Packing unit	1 piece

EZG 40/4 B

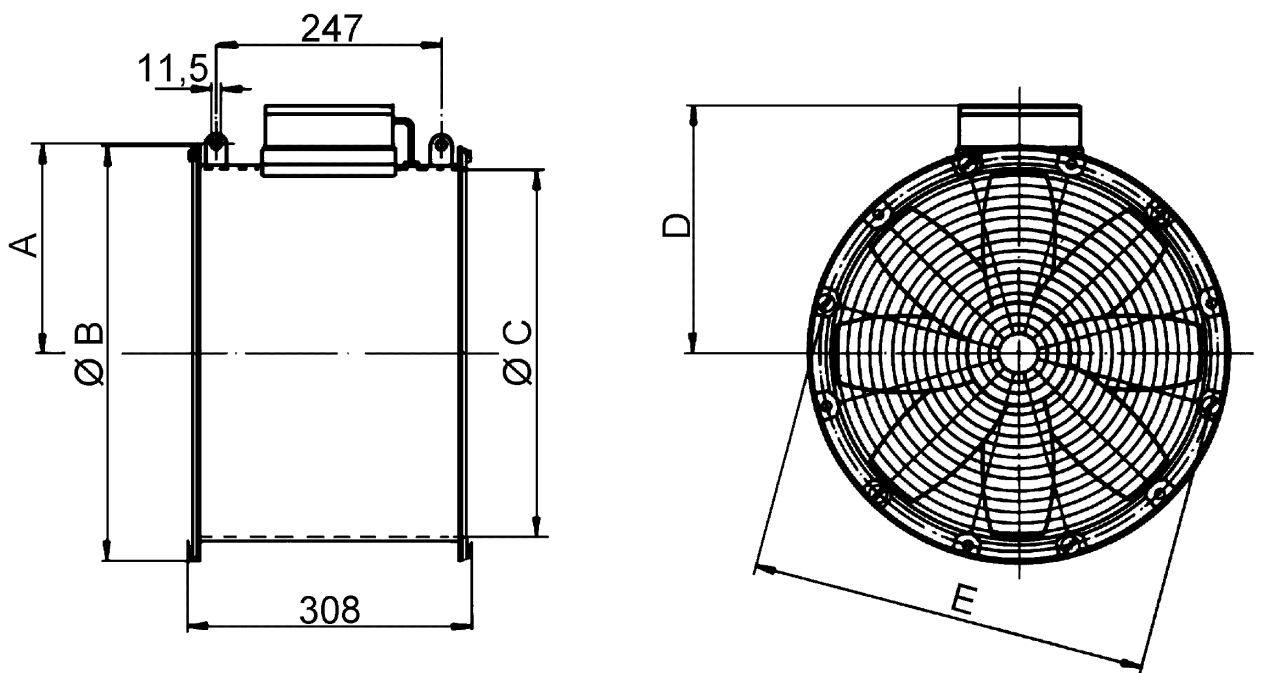
Range	C
GTIN (EAN)	4012799851523

Sound power level in octave range

	63 Hz	125 Hz	250 Hz	500 Hz	1 kHz	2 kHz	4 kHz	8 kHz	Total
L_{WA1, high} (dB(A))	-	-	-	-	-	-	-	-	83

L_{WA1} = Total sound power level of greenhouse fans or air purifiers, free-suction and free-blowing

Dimensioned drawing [mm]



A	B	C	D	E
232	460	413	274	438