

EZR 35/6 B



Short description

Axial duct fan, DN 350, alternating current

Application examples

Machine extraction unit, Showroom, Foreman's office, Workshop, Production site

Article number 0086.0006

Technical data

Air flow volume	1.800 m ³ /h
Rotating speed	930 1/min
Impeller type	axial
Speed controllable	✓
Reversing capacity	✓
Type of voltage	Alternating current
Rated voltage	230 V
Frequency	50 Hz
Nominal output	65 W
I _{nom}	0,32 A
I _{max}	0,35 A
Degree of protection	IP 55
Insulation class	B
Pole-changeable	–
Installation position	horizontal / vertical
Material	Sheet steel, galvanised
Colour	Silver
Weight	9,27 kg
Weight including packaging	11,06 kg
Nominal size	350 mm
Width	420 mm
Height	474 mm
Depth	320 mm
Width with packaging	475 mm
Height with packaging	485 mm
Depth with packaging	340 mm
Airstream temperature at nominal current	60 °C
Airstream temperature at I _{Max}	-20 °C up to 60 °C
Packing unit	1 piece

EZR 35/6 B

Range	C
GTIN (EAN)	4012799860068

Sound power level in octave range

	63 Hz	125 Hz	250 Hz	500 Hz	1 kHz	2 kHz	4 kHz	8 kHz	Total
L_{WA2}, S1 (dB(A))	13	24	15	11	14	11	16	14	26
L_{WA2}, S2 (dB(A))	25	33	39	26	27	22	24	20	41
L_{WA2}, S3 (dB(A))	19	41	38	36	38	33	30	26	45
L_{WA2}, S4 (dB(A))	20	42	40	40	41	38	33	28	47
L_{WA2}, S5 (dB(A))	22	41	39	45	43	40	35	30	49
L_{WA5}, S1 (dB(A))	21	31	30	24	23	20	18	15	35
L_{WA5}, S2 (dB(A))	30	37	51	39	40	39	29	23	52
L_{WA5}, S3 (dB(A))	22	45	54	47	48	49	39	29	57
L_{WA5}, S4 (dB(A))	23	45	54	52	50	43	31	13	59
L_{WA5}, S5 (dB(A))	25	45	54	57	52	53	45	32	61
L_{WA6}, S1 (dB(A))	21	31	30	24	23	20	18	15	35
L_{WA6}, S2 (dB(A))	30	37	51	39	40	39	29	23	52
L_{WA6}, S3 (dB(A))	22	45	54	47	48	49	39	29	57
L_{WA6}, S4 (dB(A))	23	45	54	52	50	52	43	31	59
L_{WA6}, S5 (dB(A))	25	45	54	57	52	53	45	32	61

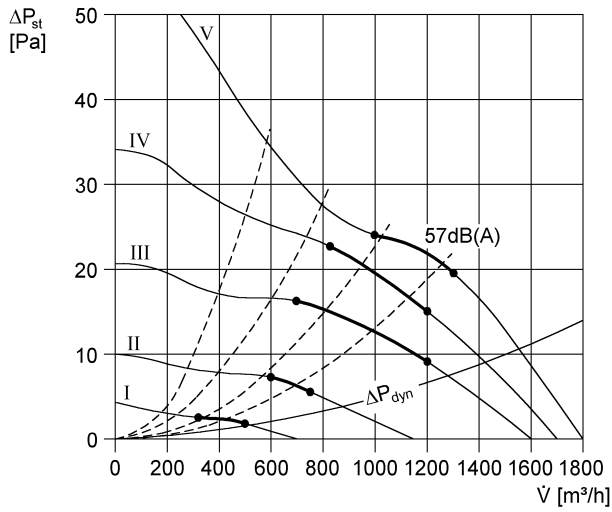
L_{WA2}= housing sound power level in dB.

L_{WA5}= free inlet sound power level in dB.

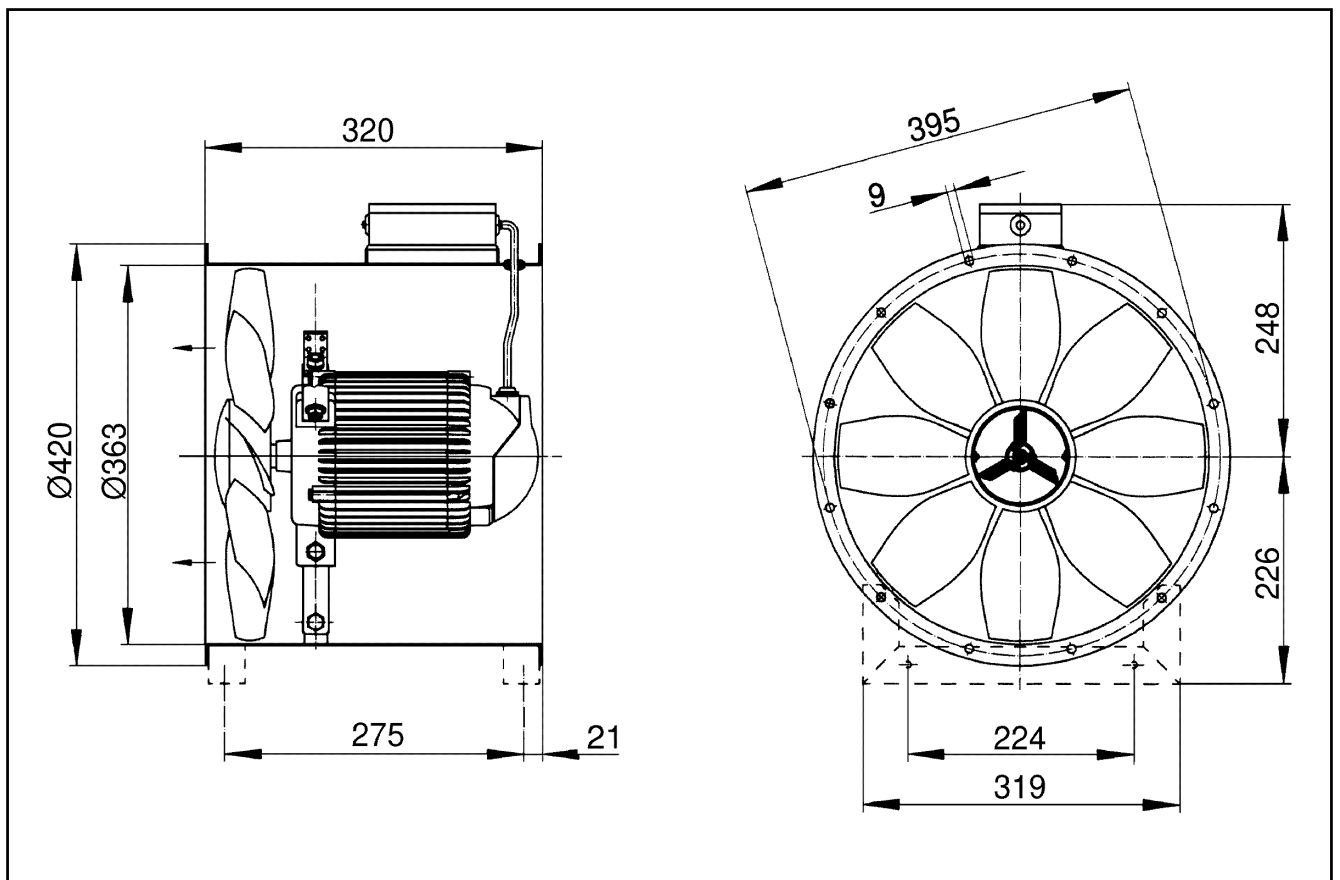
L_{WA6}= free outlet sound power level in dB.

EZR 35/6 B

Characteristic curve



Dimensioned drawing [mm]



Number of flange holes: 8