

EZR 45/6 B



Short description

Axial duct fan, DN 450, single-phase AC

Application examples

Machine extraction unit, Showroom, Foreman's office, Workshop, Production site

Article number 0086.0010

Technical data

Air flow volume	4.200 m³/h
Rotating speed	930 1/min
Speed controllable	–
Reversing capacity	✓
Type of voltage	Alternating current
Rated voltage	230 V
Frequency	50 Hz
Nominal output	190 W
I _{nom}	0,9 A
I _{max}	1,1 A
Degree of protection	IP 55
Insulation class	B
Pole-changeable	–
Installation position	horizontal / vertical
Material	Sheet steel, galvanised
Weight	14,54 kg
Weight including packaging	16,25 kg
Nominal size	450 mm
Width with packaging	575 mm
Height with packaging	580 mm
Depth with packaging	340 mm
Airstream temperature at nominal current	60 °C
Airstream temperature at I _{Max}	60 °C
Packing unit	1 piece
Range	C
GTIN (EAN)	4012799860105

EZR 45/6 B

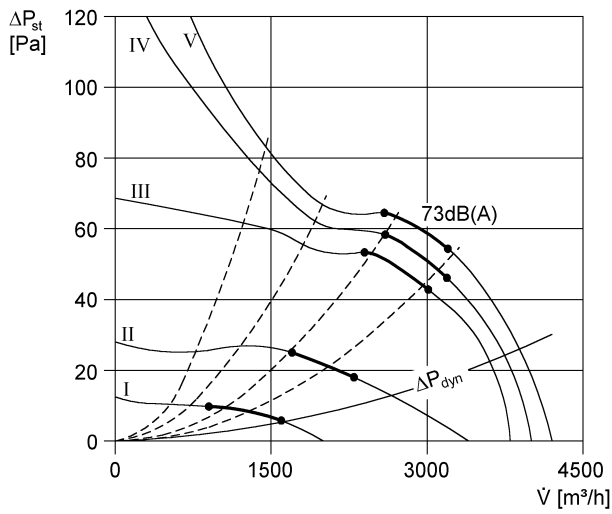
Sound power level in octave range

	63 Hz	125 Hz	250 Hz	500 Hz	1 kHz	2 kHz	4 kHz	8 kHz	Total
L_{WA2}, S1 (dB(A))	34	65	53	61	56	49	44	26	48
L_{WA2}, S2 (dB(A))	39	74	62	69	66	64	56	44	57
L_{WA2}, S3 (dB(A))	39	74	62	69	66	64	56	44	62
L_{WA2}, S4 (dB(A))	-	-	-	-	-	-	-	-	64
L_{WA2}, S5 (dB(A))	-	-	-	-	-	-	-	-	67
L_{WA5}, S1 (dB(A))	-	-	-	-	-	-	-	-	57
L_{WA5}, S2 (dB(A))	-	-	-	-	-	-	-	-	68
L_{WA5}, S3 (dB(A))	-	-	-	-	-	-	-	-	72
L_{WA5}, S4 (dB(A))	-	-	-	-	-	-	-	-	74
L_{WA5}, S5 (dB(A))	-	-	-	-	-	-	-	-	77
L_{WA6}, S1 (dB(A))	-	-	-	-	-	-	-	-	57
L_{WA6}, S2 (dB(A))	-	-	-	-	-	-	-	-	68
L_{WA6}, S3 (dB(A))	-	-	-	-	-	-	-	-	72
L_{WA6}, S4 (dB(A))	-	-	-	-	-	-	-	-	74
L_{WA6}, S5 (dB(A))	-	-	-	-	-	-	-	-	77

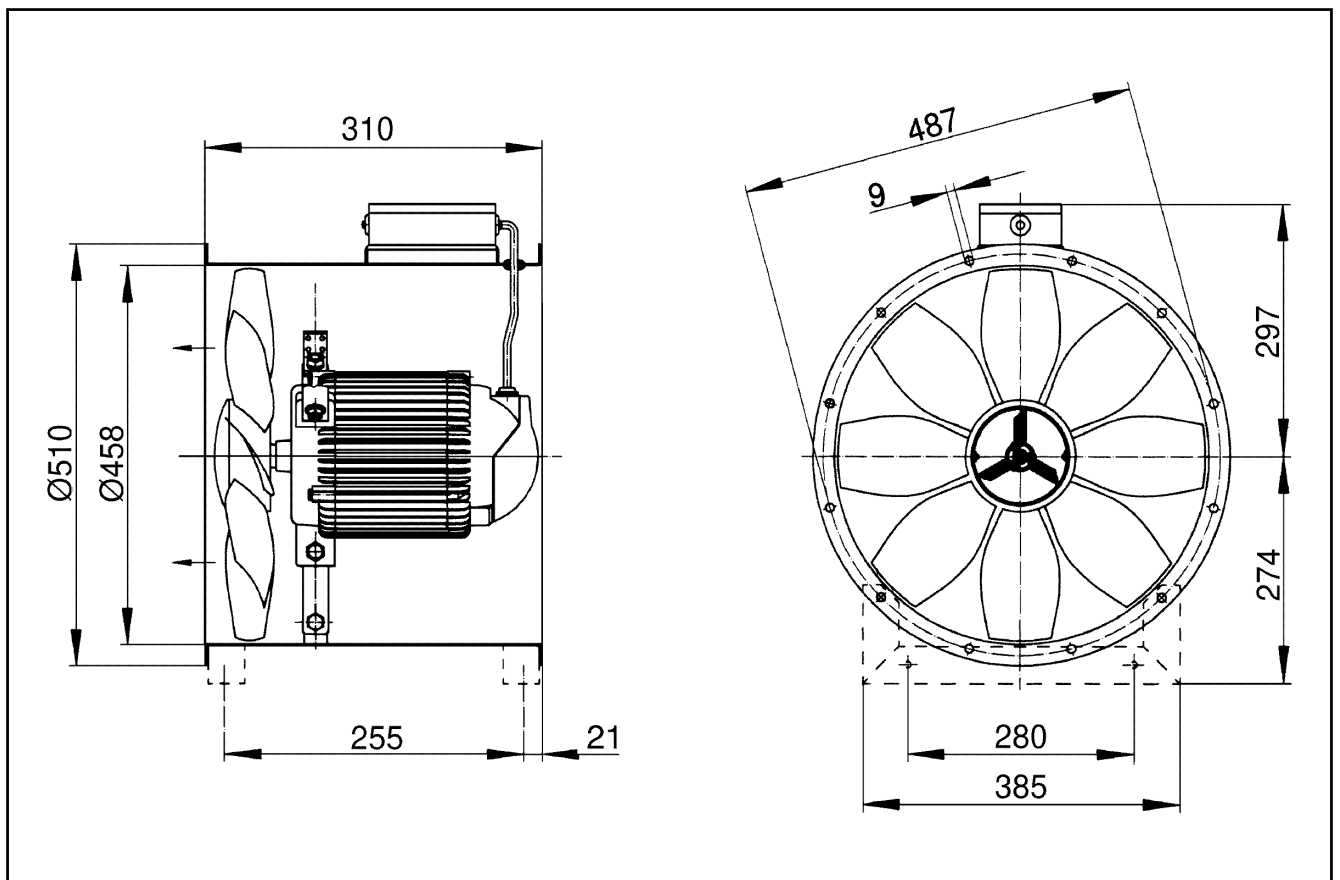
L_{WA2}= housing sound power level in dB.
 L_{WA5}= free inlet sound power level in dB.
 L_{WA6}= free outlet sound power level in dB.

EZR 45/6 B

Characteristic curve



Dimensioned drawing [mm]



Number of flange holes: 12