

# EZR 50/8 B



## Short description

Axial duct fan, DN 500, alternating current

## Application examples

Machine extraction unit, Showroom, Foreman's office, Workshop, Production site

Article number 0086.0012

## Technical data

Air flow volume	4.100 m <sup>3</sup> /h
Rotating speed	715 1/min
Impeller type	axial
Speed controllable	✓
Reversing capacity	✓
Type of voltage	Alternating current
Rated voltage	230 V
Frequency	50 Hz
Nominal output	110 W
I <sub>nom</sub>	0,5 A
I <sub>max</sub>	0,65 A
Degree of protection	IP 55
Insulation class	B
Pole-changeable	–
Installation position	horizontal / vertical
Material	Sheet steel, galvanised
Colour	Silver
Weight	16,4 kg
Weight including packaging	19,72 kg
Nominal size	500 mm
Width	565 mm
Height	624 mm
Depth	370 mm
Width with packaging	640 mm
Height with packaging	640 mm
Depth with packaging	405 mm
Airstream temperature at nominal current	60 °C
Airstream temperature at I <sub>Max</sub>	-20 °C up to 60 °C
Packing unit	1 piece

# EZR 50/8 B

Range	C
GTIN (EAN)	4012799860129

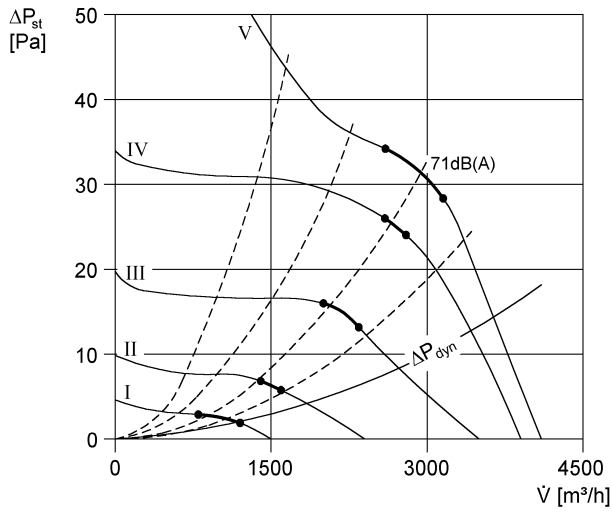
## Sound power level in octave range

	63 Hz	125 Hz	250 Hz	500 Hz	1 kHz	2 kHz	4 kHz	8 kHz	Total
<b>L<sub>WA2</sub>, S1</b> <b>(dB(A))</b>	15	25	22	24	18	5	6	0	29
<b>L<sub>WA2</sub>, S2</b> <b>(dB(A))</b>	23	35	27	30	30	22	14	9	38
<b>L<sub>WA2</sub>, S3</b> <b>(dB(A))</b>	32	41	41	40	41	36	28	16	48
<b>L<sub>WA2</sub>, S4</b> <b>(dB(A))</b>	34	43	44	46	47	42	35	20	52
<b>L<sub>WA2</sub>, S5</b> <b>(dB(A))</b>	33	53	49	48	49	45	37	22	56
<b>L<sub>WA5</sub>, S1</b> <b>(dB(A))</b>	22	29	30	36	32	25	11	3	39
<b>L<sub>WA5</sub>, S2</b> <b>(dB(A))</b>	33	39	43	47	46	43	31	16	51
<b>L<sub>WA5</sub>, S3</b> <b>(dB(A))</b>	44	47	58	60	66	66	68	65	73
<b>L<sub>WA5</sub>, S4</b> <b>(dB(A))</b>	47	54	62	65	69	69	70	68	75
<b>L<sub>WA5</sub>, S5</b> <b>(dB(A))</b>	45	57	62	65	68	68	70	67	75
<b>L<sub>WA6</sub>, S1</b> <b>(dB(A))</b>	22	29	30	36	32	25	11	3	39
<b>L<sub>WA6</sub>, S2</b> <b>(dB(A))</b>	33	39	43	47	46	43	31	16	51
<b>L<sub>WA6</sub>, S3</b> <b>(dB(A))</b>	44	47	58	60	66	66	68	65	73
<b>L<sub>WA6</sub>, S4</b> <b>(dB(A))</b>	47	54	62	65	69	69	70	68	75
<b>L<sub>WA6</sub>, S5</b> <b>(dB(A))</b>	45	57	62	65	68	68	70	67	75

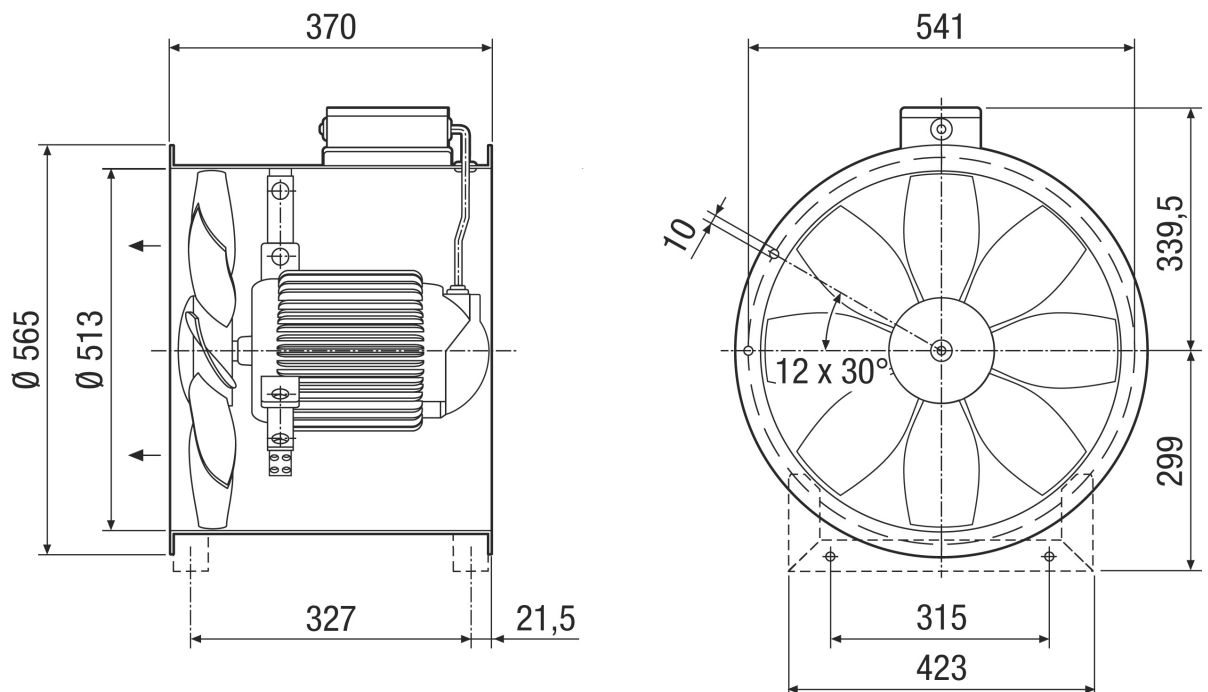
L<sub>WA2</sub>= housing sound power level in dB.  
 L<sub>WA5</sub>= free inlet sound power level in dB.  
 L<sub>WA6</sub>= free outlet sound power level in dB.

# EZR 50/8 B

## Characteristic curve



## Dimensioned drawing [mm]



Number of flange holes: 12