

FE 100/1 SG



Short description

FE 100/1 SG window installation kit with fixed external grille for the fan series ECA 100 ipro. Fan not included in scope of delivery.

Application examples

Restaurant, Showroom, Building container, Cellar

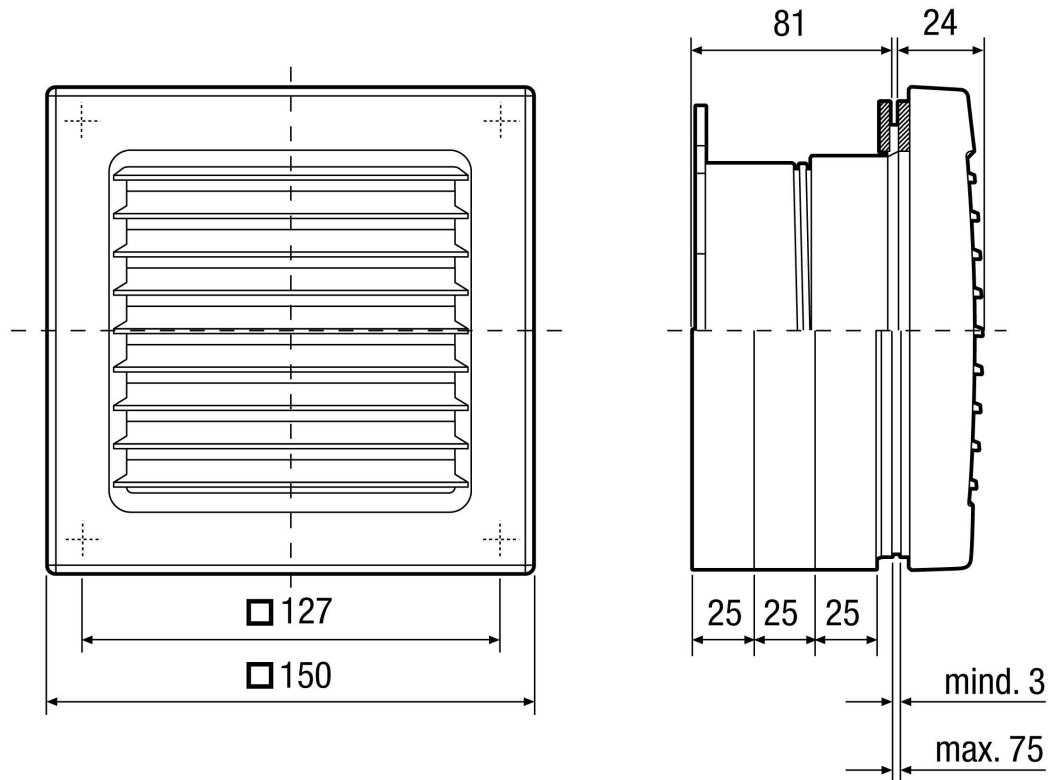
Article number 0093.0500

Technical data

Installation site	Window / Thin wall
Installation position	horizontal
Material	Synthetic material, shock-resistant
Colour	Traffic white, similar to RAL 9016
Weight	0,41 kg
Weight including packaging	0,49 kg
Width	150 mm
Height	150 mm
Depth	103 mm
Width with packaging	158 mm
Height with packaging	158 mm
Depth with packaging	123 mm
Packing unit	1 piece
Range	A
GTIN (EAN)	4012799935001

FE 100/1 SG

Dimensioned drawing FE 100/1 SG [mm]



Window cut-out diameter of 115 up to 120 mm