

FE 100 AP



Short description

Window installation kit with FE 100 AP airstream-operated shutter for the ECA 100 fan series. Fan not included in scope of delivery.

Application examples

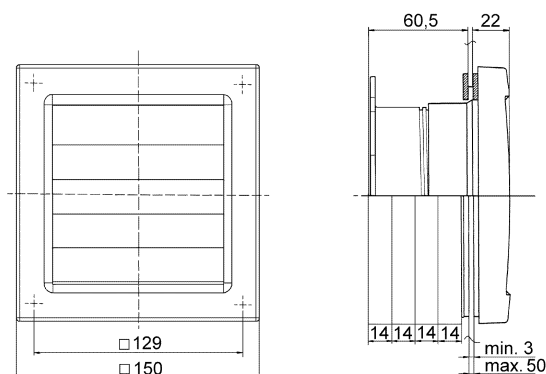
Restaurant, Showroom, Building container, Lecture room, Nursery school

Article number 0093.1024

Technical data

Installation site	Window / Wall
Installation position	horizontal
Material	Synthetic material, shock-resistant
Colour	Traffic white, similar to RAL 9016
Weight	0,4 kg
Weight including packaging	0,46 kg
Width	150 mm
Height	150 mm
Depth	82 mm
Width with packaging	155 mm
Height with packaging	155 mm
Depth with packaging	125 mm
Packing unit	1 piece
Range	A
GTIN (EAN)	4012799990307

Dimensioned drawing [mm]



FE 100 AP

FE 100 AP

